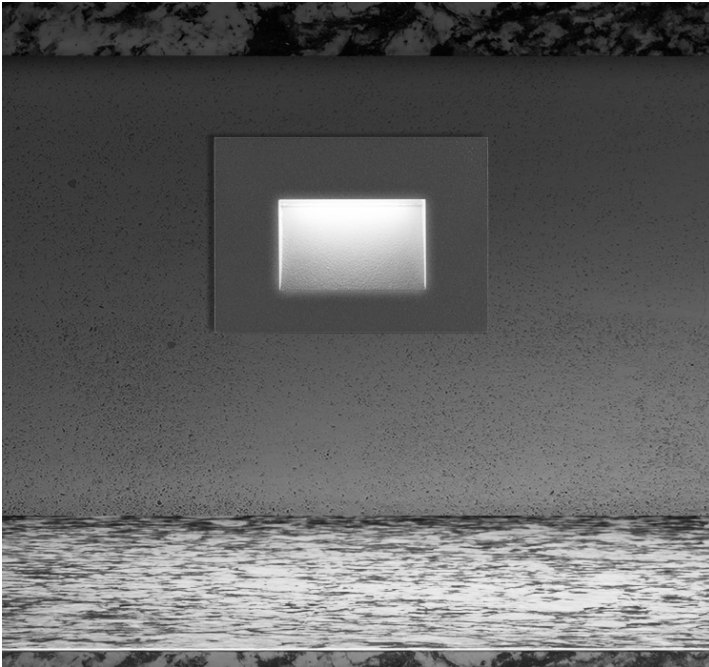


RECESSED WALL INSERT+ series

PERFORMANCE
 LIGHTING

INSERT+ series

INSERT+ ZERO | INSERT+1 | INSERT+2 | INSERT+3



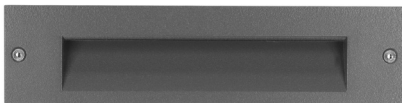
Product Family



INSERT+ ZERO
H 3" L 4.2"



INSERT+ ZERO CLIPS
H 3" L 4.2"



INSERT+ 1
H 2.2" L 8.82"



INSERT+ 2
H 3.5" L 11.18"



INSERT+ 3
H 11.18" L 11.18"

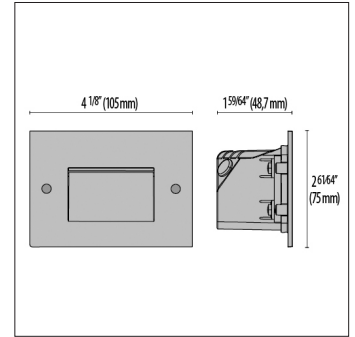
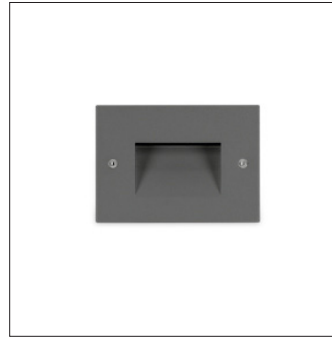
INSERT+ ZERO



INSERT+ ZERO



- Recess wall step light series. Fixtures consists of:
- Multi-step powder-coat painting process, optimized against UV rays and corrosion.
 - Copper-free precision die-cast aluminum housing and trim.
 - Frosted, flat, tempered silk screened soda-lime glass diffuser.
 - Custom molded, anti-aging gasket(s).
 - Stainless steel external hardware.
 - Custom MCPCB utilized to maximize heat dissipation and promote a long LED life.
 - IESNA Type II very short light distribution.
 - Input voltage: 120-277 V (50/60 Hz), integral driver.
 - Input voltage: 120 V (2W version).
 - Double-gang junction box must be used for ZERO / ZERO CLIPS model installation (provided by others).
 - Consult factory for custom finishes and non-catalogued CCT (Kelvin) options.
 - Product meets Buy American requirements within ARRA.
 - 5-year warranty.



- AN-96 / IRON GRAY / TEXTURED
 - GR-94 / ALUMINUM METALLIC / TEXTURED
 - WH-87 / WHITE / TEXTURED
- Consult Factory:
- RB-10 / IRON RUST (BRONZE) / TEXTURED
 - BK-81 / TEXTURED BLACK / TEXTURED

LAMPOLDER	POWER	VOLTAGE	CRI	KELVIN	OPTIC TYPE	OPTIC BEAM	LIGHTSOURCE LUMEN OUTPUT	LUMINAIRE LUMEN OUTPUT	L	B	LIFETIME	FINISH	PART NUMBER
MID POWER LEDS 120-277 V													
LED	4 W	120-277V	80	3000	-	-	511 lm	140 lm	80	10	60000 h	●	071902
LED	4 W	120-277V	80	4000	-	-	529 lm	153 lm	80	10	60000 h	●	071904
LED	4 W	120-277V	80	3000	-	-	511 lm	140 lm	80	10	60000 h	●	071898
LED	4 W	120-277V	80	4000	-	-	529 lm	153 lm	80	10	60000 h	●	071900
LED	4 W	120-277V	80	3000	-	-	511 lm	140 lm	80	10	60000 h	○	071894
LED	4 W	120-277V	80	4000	-	-	529 lm	153 lm	80	10	60000 h	○	071896
MID POWER LEDS 120 V													
LED	2 W	120V	80	3000	-	-	115 lm	47 lm	80	10	36000 h	●	071929
LED	2 W	120V	80	4000	-	-	126 lm	52 lm	80	10	36000 h	●	071930
LED	2 W	120V	80	3000	-	-	115 lm	47 lm	80	10	36000 h	●	071927
LED	2 W	120V	80	4000	-	-	126 lm	52 lm	80	10	36000 h	●	071928
LED	2 W	120V	80	3000	-	-	115 lm	47 lm	80	10	36000 h	○	071925
LED	2 W	120V	80	4000	-	-	126 lm	52 lm	80	10	36000 h	○	071926

NOTE: Contact factory for 6W version/80CRI/2700K/235lm

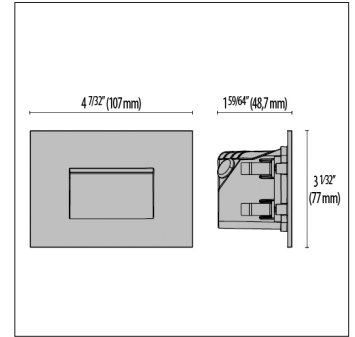
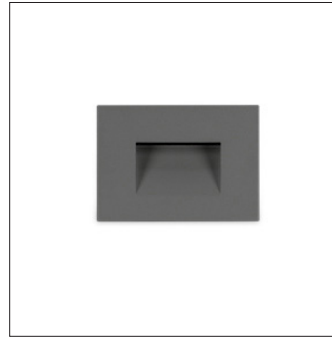
INSERT+ ZERO CLIPS



INSERT+ ZERO CLIPS



- Recess wall step light series. Fixtures consists of:
- Multi-step powder-coat painting process, optimized against UV rays and corrosion.
 - Copper-free precision die-cast aluminum housing and trim.
 - Frosted, flat, tempered silk screened soda-lime glass diffuser.
 - Custom molded, anti-aging gasket(s).
 - Stainless steel external hardware.
 - Custom MCPCB utilized to maximize heat dissipation and promote a long LED life.
 - IESNA Type II very short light distribution.
 - Input voltage: 120-277 V (50/60 Hz), integral driver.
 - Input voltage: 120 V (2W version).
 - Double-gang junction box must be used for ZERO / ZERO CLIPS model installation (provided by others).
 - Consult factory for custom finishes and non-catalogued CCT (Kelvin) options.
 - Product meets Buy American requirements within ARRA.
 - 5-year warranty.



- AN-96 / IRON GRAY / TEXTURED
 - GR-94 / ALUMINUM METALLIC / TEXTURED
 - WH-87 / WHITE / TEXTURED
- Consult Factory:
- RB-10 / IRON RUST (BRONZE) / TEXTURED
 - BK-81 / TEXTURED BLACK / TEXTURED

LAMP/OLDER	POWER	VOLTAGE	CRI	KELVIN	OPTIC TYPE	OPTIC BEAM	LIGHTSOURCE LUMEN OUTPUT	LUMINAIRE LUMEN OUTPUT	L	B	LIFETIME	FINISH	PART NUMBER
MID POWER LEDS 120-277 V													
LED	4 W	120-277V	80	3000	-	-	511 lm	162 lm	80	10	60000 h	●	071920
LED	4 W	120-277V	80	4000	-	-	529 lm	178 lm	80	10	60000 h	●	071921
LED	4 W	120-277V	80	3000	-	-	511 lm	162 lm	80	10	60000 h	●	071916
LED	4 W	120-277V	80	4000	-	-	529 lm	178 lm	80	10	60000 h	●	071918
LED	4 W	120-277V	80	3000	-	-	511 lm	162 lm	80	10	60000 h	○	071906
LED	4 W	120-277V	80	4000	-	-	529 lm	178 lm	80	10	60000 h	○	071908
MID POWER LEDS 120 V													
LED	2 W	120V	80	3000	-	-	115 lm	56 lm	80	10	36000 h	●	071935
LED	2 W	120V	80	4000	-	-	126 lm	62 lm	80	10	36000 h	●	071936
LED	2 W	120V	80	3000	-	-	115 lm	56 lm	80	10	36000 h	●	071933
LED	2 W	120V	80	4000	-	-	126 lm	62 lm	80	10	36000 h	●	071934
LED	2 W	120V	80	3000	-	-	115 lm	56 lm	80	10	36000 h	○	071931
LED	2 W	120V	80	4000	-	-	126 lm	62 lm	80	10	36000 h	○	071932

NOTE: Contact factory for 6W version/80CRI/2700K/235lm

INSERT+1

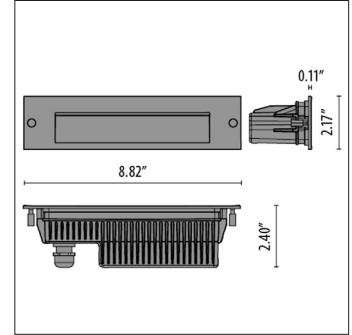


INSERT+1



Recess wall step light series. Fixtures consists of:

- Multi-step powder-coat painting process, optimized against UV rays and corrosion.
- Copper-free precision die-cast aluminum housing and trim.
- Frosted, flat, tempered silk screened soda-lime glass diffuser.
- Custom molded, anti-aging gasket(s).
- Stainless steel external hardware.
- Custom MCPCB utilized to maximize heat dissipation and promote a long LED life.
- IESNA Type III light distribution.
- Input voltage: 120-277 V (50/60 Hz), integral driver.
- Pre-wired cable is sealed to housing with a cable gland allowing external electrical connections.
- Stainless steel recessed rough-in kit (to be ordered separately).
- Optional INSERT+ 1 marine-grade, polished, brass cover suitable for coastal applications (to be ordered separately).
- Consult factory for dimming options, custom finishes and non-catalogued CCT (Kelvin) options.
- Consult factory for custom pre-wired cable length options.
- Product meets Buy American requirements within ARRA.
- 5-year warranty.



- AN-96 / IRON GRAY / TEXTURED
- GR-94 / ALUMINUM METALLIC / TEXTURED
- WH-87 / WHITE / TEXTURED

Brass cover option:

- BR-10 / BRASS / GLOSSY

Consult Factory:

- RB-10 / IRON RUST (BRONZE) / TEXTURED
- BK-81 / TEXTURED BLACK / TEXTURED

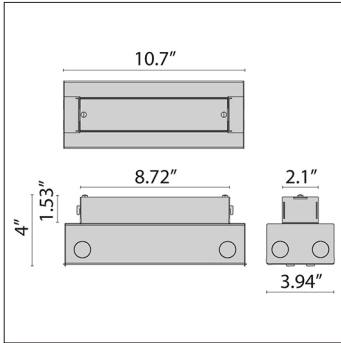
LAMP/OLDER	POWER	VOLTAGE	CRI	KELVIN	OPTIC TYPE	OPTIC BEAM	LIGHTSOURCE LUMEN OUTPUT	LUMINAIRE LUMEN OUTPUT	L	B	LIFETIME	FINISH	PART NUMBER
MID POWER LEDS 120-277 V													
LED	7 W	120-277V	80	3000	-	-	825 lm	250 lm	80	10	60000 h	●	071419
LED	7 W	120-277V	80	4000	-	-	850 lm	275 lm	80	10	60000 h	●	071423
LED	7 W	120-277V	80	3000	-	-	825 lm	250 lm	80	10	60000 h	●	071417
LED	7 W	120-277V	80	4000	-	-	850 lm	275 lm	80	10	60000 h	●	071422
LED	7 W	120-277V	80	3000	-	-	825 lm	250 lm	80	10	60000 h	○	071421
LED	7 W	120-277V	80	4000	-	-	850 lm	275 lm	80	10	60000 h	○	071424

INSERT+1



MANDATORY ACCESSORIES

DESCRIPTION	FINISH	CODE
INSERT+ 1		
Rough In kit Insert+ 1		310485



310485

OPTIONAL ACCESSORIES

DESCRIPTION	FINISH	CODE
INSERT+ 1		
Brass Cover Insert +1		304970



304970

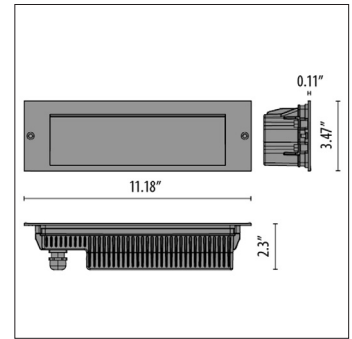
INSERT+2



INSERT+2



- Recess wall step light series. Fixtures consists of:
- Multi-step powder-coat painting process, optimized against UV rays and corrosion.
 - Copper-free precision die-cast aluminum housing and trim.
 - Frosted, flat, tempered silk screened soda-lime glass diffuser.
 - Custom molded, anti-aging gasket(s).
 - Stainless steel external hardware.
 - Custom MCPCB utilized to maximize heat dissipation and promote a long LED life.
 - IESNA Type III light distribution.
 - Input voltage: 120-277 V (50/60 Hz), integral driver.
 - Pre-wired cable is sealed to housing with a cable gland allowing external electrical connections.
 - Stainless steel recessed rough-in kit (to be ordered separately).
 - Consult factory for dimming options, custom finishes and non-catalogued CCT (Kelvin) options.
 - Consult factory for custom pre-wired cable length options.
 - Product meets Buy American requirements within ARRA.
 - 5-year warranty.



- AN-96 / IRON GRAY / TEXTURED
 - GR-94 / ALUMINUM METALLIC / TEXTURED
 - WH-87 / WHITE / TEXTURED
- Consult Factory:*
- RB-10 / IRON RUST (BRONZE) / TEXTURED
 - BK-81 / TEXTURED BLACK / TEXTURED

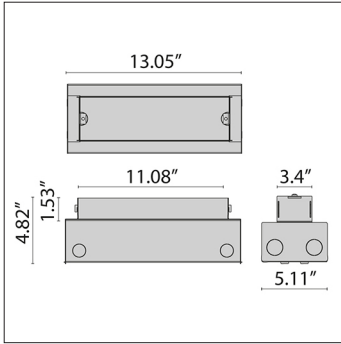
LAMPOLDER	POWER	VOLTAGE	CRI	KELVIN	OPTIC TYPE	OPTIC BEAM	LIGHTSOURCE LUMEN OUTPUT	LUMINAIRE LUMEN OUTPUT	L	B	LIFETIME	FINISH	PART NUMBER
MID POWER LEDS 120-277 V													
LED	11 W	120-277V	80	3000	-	-	1350 lm	503 lm	80	10	60000 h	●	071407
LED	11 W	120-277V	80	4000	-	-	1410 lm	553 lm	80	10	60000 h	●	071413
LED	11 W	120-277V	80	3000	-	-	1350 lm	503 lm	80	10	60000 h	●	071405
LED	11 W	120-277V	80	4000	-	-	1410 lm	553 lm	80	10	60000 h	●	071411
LED	11 W	120-277V	80	3000	-	-	1350 lm	503 lm	80	10	60000 h	○	071409
LED	11 W	120-277V	80	4000	-	-	1410 lm	553 lm	80	10	60000 h	○	071415

INSERT+2



MANDATORY ACCESSORIES

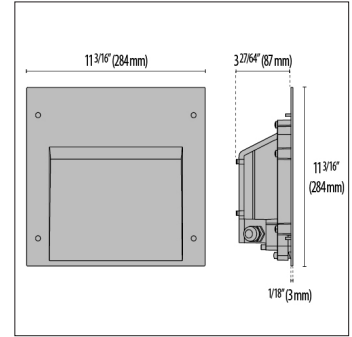
DESCRIPTION	FINISH	CODE
INSERT+ 2		
Rough In kit Insert+ 2		310486



INSERT+3



INSERT+3 TYPE II



Recessed wall or step light series. Fixtures consists of:

- Multi-step powder-coat painting process, optimized against UV rays and corrosion.
- Copper-free precision die-cast aluminum housing and trim.
- Custom molded, anti-aging gasket(s).
- Stainless steel external hardware.
- Extra-clear, flat, tempered soda-lime glass diffuser.
- Custom MCPCB utilized to maximize heat dissipation and promote a long LED life.
- High-transmittance transparent optics.
- IESNA Type II medium light distribution.
- Input voltage: 120-277 V (50 / 60 Hz), integral 0-10 V dimming driver.
- Pre-wired cable is sealed to housing with a cable gland allowing external electrical connections.
- Stainless steel recessed rough-in kit (to be ordered separately).
- Suitable for hollow walls.
- Consult factory for dimming options, custom finishes and non-catalogued CCT (Kelvin) options.
- Consult factory for custom pre-wired cable length options.
- Product meets Buy American requirements within ARRA.
- 5-year warranty.

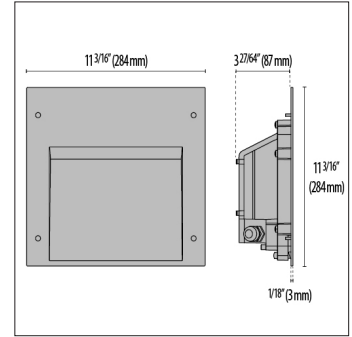
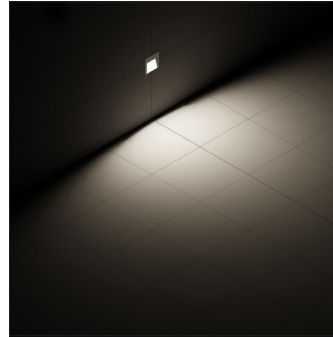
- AN-96 / IRON GRAY / TEXTURED
 - GR-94 / ALUMINUM METALLIC / TEXTURED
- Consult Factory:
- RB-10 / IRON RUST (BRONZE) / TEXTURED
 - BK-81 / TEXTURED BLACK / TEXTURED
 - WH-87 / WHITE / TEXTURED

LAMP/OLDER	POWER	VOLTAGE	CRI	KELVIN	OPTIC TYPE	OPTIC BEAM	LIGHTSOURCE LUMEN OUTPUT	LUMINAIRE LUMEN OUTPUT	L	B	LIFETIME	FINISH	PART NUMBER
MID POWER LEDS 120-277 V DIMMABLE 0-10V													
LED	26 W	120-277V	70	3000	TYPE II	-	3450 lm	1388 lm	80	10	125000 h	●	071977
LED	26 W	120-277V	70	4000	TYPE II	-	3585 lm	1399 lm	80	10	125000 h	●	071978
LED	26 W	120-277V	70	3000	TYPE II	-	3450 lm	1388 lm	80	10	125000 h	●	071979
LED	26 W	120-277V	70	4000	TYPE II	-	3585 lm	1399 lm	80	10	125000 h	●	071980

INSERT+3



INSERT+3



Recess wall step light series. Fixtures consists of:

- Multi-step powder-coat painting process, optimized against UV rays and corrosion.
- Copper-free precision die-cast aluminum housing and trim.
- Custom molded, anti-aging gasket(s).
- Stainless steel external hardware.
- Frosted, flat, tempered soda-lime glass diffuser.
- Custom MCPCB utilized to maximize heat dissipation and promote a long LED life.
- IESNA Type III very short light distribution.
- Input voltage: 120-277 V (50 / 60 Hz), integral 0-10 V dimming driver.
- Pre-wired cable is sealed to housing with a cable gland allowing external electrical connections.
- Stainless steel recessed rough-in kit (to be ordered separately).
- Suitable for hollow walls.
- Consult factory for dimming options, custom finishes and non-catalogued CCT (Kelvin) options.
- Consult factory for custom pre-wired cable length options.
- Product meets Buy American requirements within ARRA.
- 5-year warranty.

- AN-96 / IRON GRAY / TEXTURED
 - GR-94 / ALUMINUM METALLIC / TEXTURED
 - RB-10 / IRON RUST (BRONZE) / TEXTURED
 - BK-81 / TEXTURED BLACK / TEXTURED
 - WH-87 / WHITE / TEXTURED
- Consult Factory:

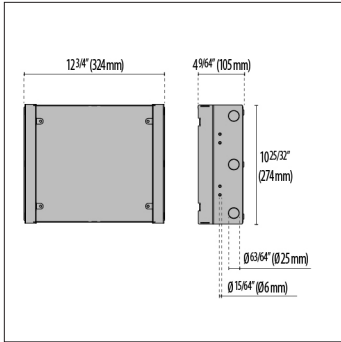
LAMPOLDER	POWER	VOLTAGE	CRI	KELVIN	OPTIC TYPE	OPTIC BEAM	LIGHTSOURCE LUMEN OUTPUT	LUMINAIRE LUMEN OUTPUT	L	B	LIFETIME	FINISH	PART NUMBER
MID POWER LEDS 120-277 V DIMMABLE 0-10V													
LED	29 W	120-277V	80	3000	TYPE III	-	4020 lm	1502 lm	80	10	60000 h	●	071981
LED	29 W	120-277V	80	4000	TYPE III	-	4140 lm	1592 lm	80	10	60000 h	●	071982
LED	29 W	120-277V	80	3000	TYPE III	-	4020 lm	1502 lm	80	10	60000 h	●	071983
LED	29 W	120-277V	80	4000	TYPE III	-	4140 lm	1592 lm	80	10	60000 h	●	071984

INSERT+3



MANDATORY ACCESSORIES

DESCRIPTION	FINISH	CODE
INSERT+3		
Recessed box INSERT+3	●	3100883



3100883