

SYSTEMLINE+



Area and site lighting series. Fixtures consist of:

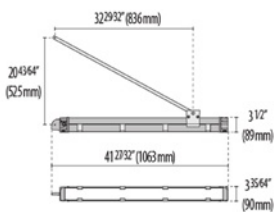
- Multi-step powder-coat painting process, optimized against UV rays and corrosion.
- Copper-free aluminum die-cast end-caps, extruded, and anodized housing.
- Extra-clear, flat, tempered silk-screened soda-lime glass diffuser.
- Custom molded, anti-aging gasket(s).
- Stainless steel external hardware.
- Custom MCPCB utilized to maximize heat dissipation and promote a long LED life.
- High-transmittance transparent optics.
- IESNA Type I light distribution.
- IESNA Type II light distribution.
- Input voltage: 120-277 V (50 / 60 Hz), integral 0-10 V dimming driver.
- Integral surge protector can withstand up to 10 kV transient line surge.
- Consult factory for dimming options, custom finishes

- (please specify RAL color), and non-cataloged CCT (Kelvin) options.
- Consult factory for custom optics options.
- Consult factory for pole information.
- Range of accessories, including posts and painted aluminum arms, suitable for a variety of configurations for diverse settings (parks, gardens, pedestrian areas, squares, parking areas, etc.) available (ordered separately).
- Product meets Buy American Act requirements within ARRA.
- 5-year warranty.
- Marine Grade finish.
- Suitable for Natatorium applications.

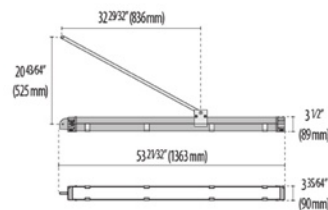


FINISHES

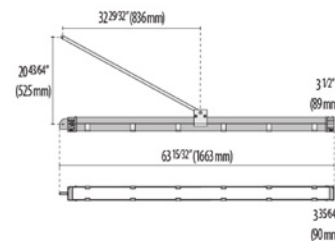
- AN-96 / Iron gray / Textured
- BK-81 / Black / Textured
- GR-94 / Aluminum metallic / Textured
- WH-87 / White / Textured
- RB-10 / Iron rust / Textured



SYSTEMLINE+
100



SYSTEMLINE+
130



SYSTEMLINE+
160

Order Guide - System Line+



Order code example

SL+100-34-T1-AM-3K-120-NA

SL+-

Housing Style	Wattage	Optics	Finish	Kelvin	Voltage	Controls	Accessories
100 41 inch	34 34 watt (100 max)	A/W Asymmetric Wide	AM Aluminum Metallic	3K 3000k	120 120 volts	NA Non Dimming	WMK Wall Mount Kit
130 53 inch	54 54 watt (130 max)	T1 Type I	IG Iron Gray	4K 4000k	277 277 volts	0-10V 0-10V Dimming	GS Gliding Support for pole mounting
160 63 inch	68 68 watt (160 max)	T2 Type II	IR Iron Rust			ELV ELV Dimming	P8 8' Pole (4")
	XX Specify Wattage must be below max		BK Textured Black				P10 10' Pole (4")
			WH Textured White				P12 12' Pole (4")
			CC Custom Color				P14 14' Pole (4")
							P16 16' Pole (4")
							P18 18' Pole (4")
							PXX Specify Pole height

Lumen Output	3K	4K
Systemline+ 100 A/W	3125	3403
Systemline+ 100 T1	3462	3770
Systemline+ 100 T2	2974	3238
Systemline+ 130 A/W	4691	4938
Systemline+ 130 T1	5300	5579
Systemline+ 130 T2	4411	4643
Systemline+ 160 A/W	5141	5462
Systemline+ 160 T1	5923	6294
Systemline+ 160 T2	5972	6345

REQUIRED FOR INSTALLATION

DESCRIPTION	FINISH	PART NUMBER
SYSTEMLINE+ POLE MOUNTED Gliding support made of painted aluminium for the installation on $\varnothing 3.9/16"$ / $\varnothing 90$ mm posts	●	14099696
SYSTEMLINE+ WALL MOUNTED Wall mount kit (2 pcs)	●	14133096



14099696

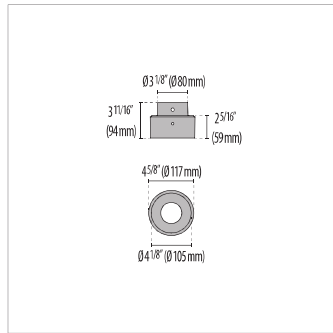


14133096



OPTIONAL ACCESSORIES

DESCRIPTION	FINISH	PART NUMBER
Pole 8' Ø4"		71408403
Pole 10' Ø4"		71410403
Pole 12' Ø4"		71412403
Pole 14' Ø4"		71414403
Pole 16' Ø4"		71416403



3111179

STANDARD POLE OPTIONS:

- Poles are rated for 130mph (contact factory for poles with higher wind and weight ratings).
- Contact factory for additional pole heights and finishes, as well as banner arms and an integrated GFCI outlet option.
- Anchor bolts and templates can ship ahead of the poles to help expedite installation schedules.

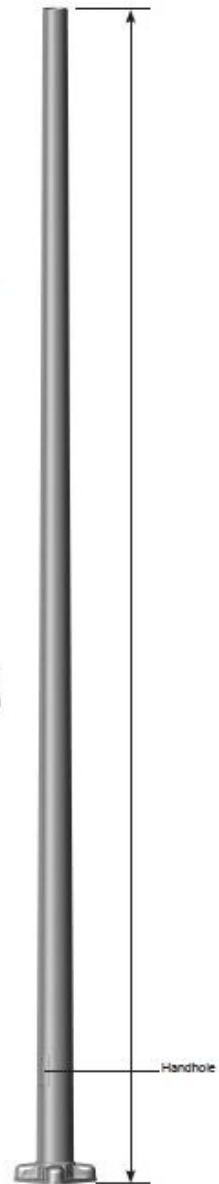
Cross Section



Handhole



Nut Covers (Standard)



Anchor Base Detail

