

SHIELD+ 2



Long-lasting energy-efficient wall pack series. Fixtures consist of:

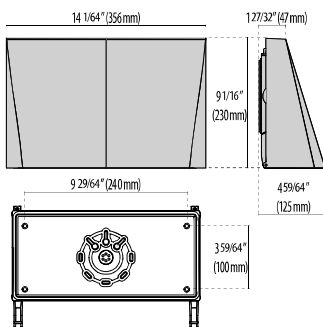
- Multi-step powder-coat painting process, optimized against UV rays and corrosion.
- Copper-free precision die-cast aluminum housing and mounting plate.
- Extra-clear, flat, tempered silk-screened soda-lime glass diffuser.
- Custom molded, anti-aging gasket(s).
- Stainless steel external hardware.
- High-efficiency COB, combined with an optimized passive cooling system, provides a long LED life.
- Specular vacuum metallized polycarbonate reflector provides full-cutoff, no glare design, and precision optical control.
- IESNA Type III light distribution.
- Input voltage: 120-277 V (50 / 60 Hz), integral 0-10 V dimming driver.
- Input voltage: 120-277 V (50 / 60 Hz), integral 1-10 V dimming driver (37 W / 53 W versions).

- Field settable integral bi-level lumen/wattage packages (37 W / 53 W) proprietary DIP switch driver for SHIELD+ 2 (stating factory setting at the lowest level).
- Optional, integral, emergency battery-pack designed for a minimum operation of 90 minutes (EMPK versions).
- Standard knock-out template for multiple junction box mounting options.
- Suitable for three surface mounted conduit entry points with 1/2" NPS plugs.
- BUTTON and SWIVEL 120-277 V (50 / 60 Hz) photoelectric switch options available (ordered separately).
- Consult factory for dimming options, custom finishes (please specify RAL color), and non-cataloged CCT (Kelvin) options.
- Product meets Buy American Act requirements within ARRA.
- 5-year warranty.
- Marine Grade finish.
- Suitable for Natatorium applications.



FINISHES

- AN-96 / Iron gray / Textured
- GR-94 / Aluminum metallic / Textured
- RB-10 / Iron rust / Textured
- WH-87 / White / Textured
- BK-81 / Black / Textured



SHIELD+
2

Lumen Output	27K	3K	35K	4K	5K
Shield+2 37W	3743	4064	4384	4705	5025
Shield+2 53W	5645	5787	5928	6070	6353
Shield+2 80W	7680	7782	7883	7985	8188

Order Guide - Shield+2



Order code example

SH2-53-AM-3K-120-NA-OCC1

SH2-

--	--	--	--	--	--

Wattage	Finish	Kelvin	Voltage	Controls	Accessories
27 27 watt	AM Aluminum Metallic	27K 2700k	120 120 volts	NA Non Dimming	EMPK Integral Emergency Battery back up
37 37 watt	IG Iron Gray	3K 3000k	277 277 volts	0-10V 0-10V Dimming	OCC-1 On/Off Occupancy Sensor
53 53 watt	IR Iron Rust	35K 3500k		ELV ELV Dimming	OCC-2 Hi/Lo Occupancy Sensor
80 80 watt (max)	BK Textured Black	4K 4000k		1% 1% Dimming	PHC-B Button Photocell
	WH Textured White	5K 5000K			PHC-S Swivel Photocell
XX Specify wattage must be below max	CC Custom Color	65K 6500K			REM Remote Battery Back up
		GRN Static Green			
		BLU Static Blue			
		RED Static Red			
		RGBW RGBW Consult factory for control details			