

SHIELD+ 2



Long-lasting energy-efficient wall pack series. Fixtures consist of:

- Multi-step powder-coat painting process, optimized against UV rays and corrosion.
- Copper-free precision die-cast aluminum housing and mounting plate.
- Extra-clear, flat, tempered silk-screened soda-lime glass diffuser.
- Custom molded, anti-aging gasket(s).
- Stainless steel external hardware.
- High-efficiency COB, combined with an optimized passive cooling system, provides a long LED life.
- Specular vacuum metallized polycarbonate reflector provides full-cutoff, no glare design, and precision optical control.
- IESNA Type III light distribution.
- Input voltage: 120-277 V (50 / 60 Hz), integral 0-10 V dimming driver.
- Input voltage: 120-277 V (50 / 60 Hz), integral 1-10 V dimming driver (37 W / 53 W versions).

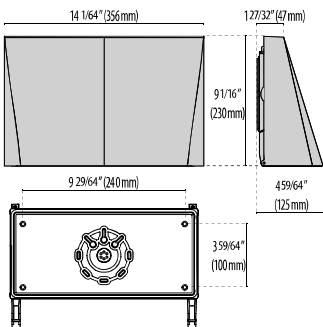
Fixture has two LEDs and two Drivers
In EM Mode, One LED and Driver are Powered

- Field settable integral bi-level lumen/wattage packages (37 W / 53 W) proprietary DIP switch driver for SHIELD+ 2 (stating factory setting at the lowest level).
- Optional, integral, emergency battery-pack designed for a minimum operation of 90 minutes (EMPK versions).
- Standard knock-out template for multiple junction box mounting options.
- Suitable for three surface mounted conduit entry points with 1/2" NPS plugs.
- BUTTON and SWIVEL 120-277 V (50 / 60 Hz) photoelectric switch options available (ordered separately).
- Consult factory for dimming options, custom finishes (please specify RAL color), and non-cataloged CCT (Kelvin) options.
- 5-year warranty.
- Marine Grade finish.
- Suitable for Natatorium applications.
- Consult factory for any Buy American Act (BAA) or Build America Buy America Act (BABAA) requirements.



FINISHES

- AN-96 / Iron gray / Textured
- GR-94 / Aluminum metallic / Textured
- RB-10 / Iron rust / Textured
- WH-87 / White / Textured
- BK-81 / Black / Textured



SHIELD+
2

Scan here
for installation
instructions



Lumen Output	27K	3K	35K	4K	5K
Shield+2 37W	3743	4064	4384	4705	5025
Shield+2 53W	5645	5787	5928	6070	6353
Shield+2 80W	7680	7782	7883	7985	8188

Order Guide –

Order code example: SH2-T3-25-80-3K-IG-UNV-NA-REM

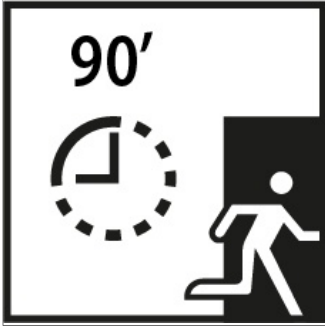
Series	Distribution	Wattage	CRI	CCT	Finish	Voltage	Controls	Accessories
SH2 Shield+2	T3 Type 3	10 10 watt (minimum)	80 80 CRI*	27K 2700K	AM Aluminum Metallic*	UNV 120-277V*	NA Non-Dim	EMPK Intergral Battery pack -10°-50° C - 1502 lumens in EM Mode CWEMPK Cold Weather Integral Battery pack -20°-50° C - 1502 lumens in EM Mode OCC App Based Field programmable occupancy sensor ON/OFF HI/LO App Based Field programmable occupancy sensor HI/LO REM Remote Battery pack PHC-B Button Photocell PHC-S Swivel Photocell FRST Frosted Glass BABAA Build America Buy America Act compliant (not available for all options)
		15 15 watt	90 90 CRI	3K 3000K	IG Iron Gray*		0-10V 0-10V Dimming Driver*	
	25 25 watt		35K 3500K	WH Textured White*	ELV 120V-Line Voltage Dimming Driver			
	27 27 watt*		4K 4000K*	IR Iron Rust*				
	37 37 watt		5K 5000K	BK Textured Black				
	53 53 watt* (EMPK MAX)		65K 6500K	CC Custom Color				
	80 80 watt* (MAX)		RED Static Red					
			GRN Static Green					
			BLU Static Blue					
			AMB Static Amber					
		RGBW See below for details						

80 CRI STANDARD - OTHER OPTIONS AVAILABLE
STANDARD OPTION, SHORTER LEAD TIME, NO MOQ

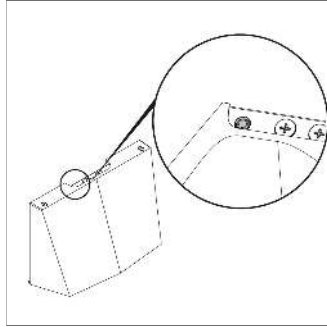
PERFORMANCE IN LIGHTING reserves the right to make all necessary changes without prior notice

OPTIONAL ACCESSORIES

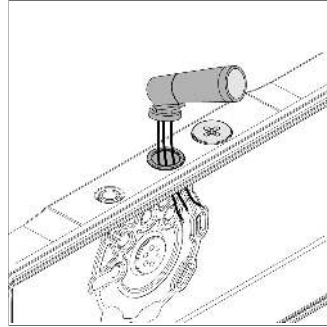
DESCRIPTION	FINISH	PART NUMBER
SHIELD+2		



EMPK



PHC-B



PHC-S



FRST



REM



OCC



HI/LO

Power Supply



17433
Kit driver 48V



17096
Kit driver 48V WP

RF Controls



3104173
RGBW RF controller 4 channel
(0.35A each CH)



31041730
RGBW RF controller WP 4 channel
(0.35A each CH)



310429
RGBW hand held remote

DMX Controls



178973
RGBW DMX enabler/decoder 4
channel (0.35A each CH)



1789730
RGBW DMX enabler/decoder WP 4
channel (0.35A each CH)