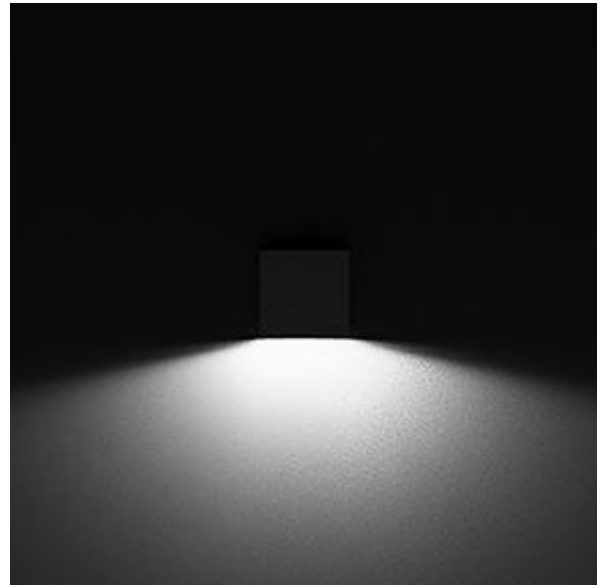
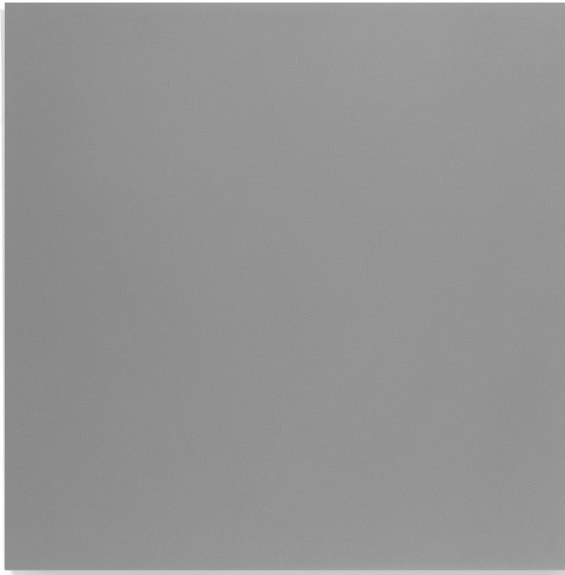


# MIMIK 50



Wall mount series. Fixtures consist of:

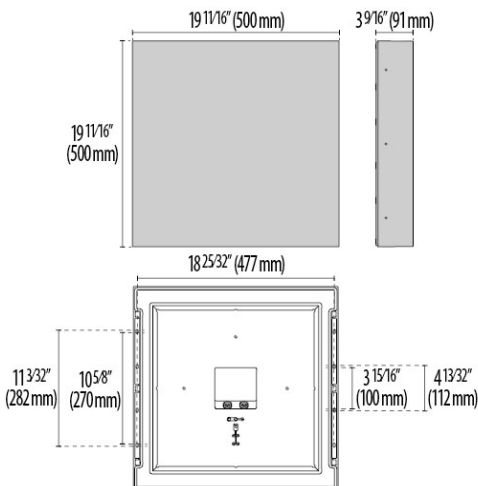
- Multi-step powder-coat painting process, optimized against UV rays and corrosion.
- Copper-free precision die-cast aluminum housing and mounting plate.
- Extra-clear, flat, tempered silk-screened soda-lime glass diffuser.
- Custom molded, anti-aging gasket(s).
- Stainless steel external hardware.
- Custom MCPCB utilized to maximize heat dissipation and promote a long LED life.
- High-transmittance transparent optics.
- Single (M) or dual (B) light emission.
- IESNA Type II light distribution.
- IESNA Type III light distribution.
- IESNA Type IV light distribution.
- Standard dual-circuit wiring and dimming for dual (B) light emission models.

- Input voltage: 120-277 V (50 / 60 Hz), integral 0-10 V dimming driver.
- Optional, integral, emergency battery-pack designed for a minimum operation of 90 minutes (EMPK versions).
- BUTTON and SWIVEL 120-277 V (50 / 60 Hz) photoelectric switch options available (ordered separately).
- Consult factory for dimming options, custom finishes (please specify RAL color), and non-cataloged CCT (Kelvin) options.
- Product meets Buy American Act requirements within ARRA.
- 5-year warranty.
- Marine Grade finish.
- Suitable for Natatorium applications.



## FINISHES

- GR-94 / Aluminum metallic / Textured
- RB-10 / Iron rust / Textured
- BK-81 / Black / Textured
- AN-96 / Iron gray / Textured
- WH-87 / White / Textured



MIMIK  
50

LUMEN OUTPUT	2700K	3000K	3500K	4000K
MIMIK 50 M T2 (39W)	4357	4517	4677	4837
MIMIK 50 M T2 (53W)	5698	5908	6118	6328
MIMIK 50 M T3 (39W)	4265	4422	4579	4736
MIMIK 50 M T3 (53W)	5578	5784	5990	6196
MIMIK 50 M T4 (39W)	4069	4219	4369	4519
MIMIK 50 M T4 (53W)	8445	8630	8815	9000
MIMIK 50 B T2 (78W)	8659	8977	9295	9614
MIMIK 50 B T2 (106W)	11324	11741	12158	12575
MIMIK 50 B T3 (78W)	8474	8787	9100	9413
MIMIK 50 B T3 (106W)	11085	11494	11903	12313
MIMIK 50 B T4 (78W)	8091	8388	8685	8982
MIMIK 50 B T4 (106W)	10581	10970	11359	11749

WATTAGE	
MIMIK 50 M	39W
MIMIK 50 M	53W
MIMIK 50 B	78W
MIMIK 50 B	106W

# Order Guide - Mimik 50



Order code example

M50-M-39-T4-AM-27K-120V-NA-PHC-B

M50-

Light Emission	Wattage	Optics	Finish	Kelvin	Voltage	Controls	Accessories
		(standard only)					
<b>M</b> (One-Way)	<b>22</b> 22 watt (M)	<b>T2</b> Type II	<b>AM</b> Aluminum Metallic	<b>27K</b> 2700k	<b>120</b> 120 volts	<b>NA</b> Non Dimming	<b>EMPK</b> Integral Emergency Battery back up
<b>B</b> (Two-Way)	<b>39</b> 39 watt (M)	<b>T3</b> Type III	<b>IG</b> Iron Gray	<b>3K</b> 3000k	<b>277</b> 277 volts	<b>0-10V</b> 0-10V Dimming	<b>PHC-B</b> Photocell Button
	<b>53</b> 53 watt (M max)	<b>T4</b> Type IV	<b>IR</b> Iron Rust	<b>35K</b> 3500k		<b>ELV</b> ELV Dimming	
	<b>42</b> 42 watt (B)	<b>NB</b> Narrow Beam	<b>BK</b> Textured Black	<b>4K</b> 4000k			
	<b>78</b> 78 watt (B)		<b>WH</b> Textured White	<b>AMB</b> Amber			
	<b>106</b> 106 watt (B max)		<b>CC</b> Custom Color	<b>BLU</b> Blue			
	<b>XX</b> Specify wattage must be below max			<b>GRN</b> Green			
				<b>RED</b> Red			