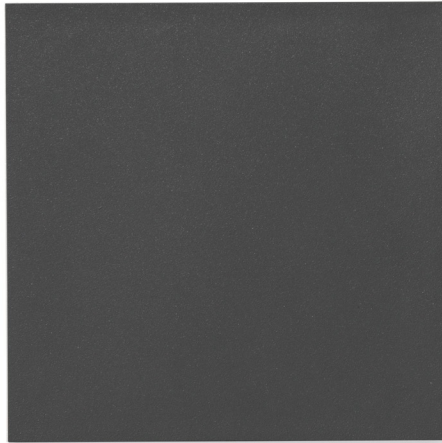


MIMIK 20



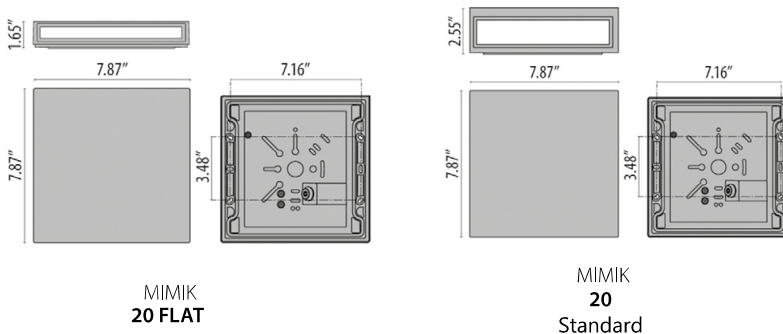
- Ceiling-, wall- and post- mount series. Fixtures consist of:
- Multi-step powder-coat painting process, optimized against UV rays and corrosion.
 - Copper-free precision die-cast aluminum housing and mounting plate.
 - Extra-clear, flat, tempered silk-screened soda-lime glass diffuser.
 - Micro-prismatic patterned, flat, tempered silk-screened soda-lime glass diffuser (FLAT versions).
 - Custom molded, anti-aging gasket(s).
 - Stainless steel external hardware.
 - Custom MCPCB utilized to maximize heat dissipation and promote a long LED life.
 - High-transmittance transparent optics.
 - Single (M) or dual (B) light emission.
 - IESNA Type II light distribution (FLAT).
 - IESNA Type II light distribution.
 - IESNA Type III light distribution.
 - IESNA Type IV light distribution.

- Input voltage: 120-277 V (50 / 60 Hz), integral 0-10 V dimming driver.
- Optional, integral, emergency battery-pack designed for a minimum operation of 90 minutes (EMPK versions).
- Customizing facade faceplate available for MIMIK FLAT versions (ordered separately).
- Post accessory available for MIMIK 20 (ordered separately).
- Consult factory for dimming options, custom finishes (please specify RAL color), and non-cataloged CCT (Kelvin) options.
- Optional clear plexiglass panel can be customized with logos for signage or wayfinding (LINE BOLLARD). Consult factory for more information.
- Product meets Buy American Act requirements within ARRA.
- 5-year warranty.
- Marine Grade finish.
- Suitable for Natatorium applications.



FINISHES

- AN-96 / Iron gray / Textured
- GR-94 / Aluminum metallic / Textured
- WH-87 / White / Textured
- BK-81 / Black / Textured
- RB-10 / Iron rust / Textured



LUMEN OUTPUT		2700K	3000K	3500K	4000K	5000K
MIMIK 20 M T2	15W	1373	1385	1396	1408	1420
MIMIK 20 M T2	26W	2238	2256	2274	2292	2310
MIMIK 20 M T2 EMPK	15W	1373	1385	1396	1408	1420
MIMIK 20 M T3	15W	1385	1396	1407	1418	1429
MIMIK 20 M T3	26W	2255	2273	2291	2309	2327
MIMIK 20 M T3 EMPK	15W	1385	1396	1407	1418	1429
MIMIK 20 M T4	15W	1308	1319	1329	1340	1351
MIMIK 20 M T4	26W	2132	2149	2166	2183	2200
MIMIK 20 M T4 EMPK	15W	1308	1319	1329	1340	1351
MIMIK 20 FLAT M	14W	919	960	1001	1042	1083
MIMIK 20 FLAT B	25W	1847	1930	2012	2095	2178

WATTAGE	
MIMIK 20 M T2	15W
MIMIK 20 M T2	26W
MIMIK 20 M T3	15W
MIMIK 20 M T3	26W
MIMIK 20 M T4	15W
MIMIK 20 M T4	26W
MIMIK 20 FLAT M	14W
MIMIK 20 FLAT B	25W



Scan here
for installation
instructions

Revision 02
10/22



40" Bollard option



40" Line Bollard option

Order Guide - Mimik 20

Order code example

M20-M-15W-T4-AM-27K-120V-NA-FC

M20

Housing Style	Light Emission	Wattage	Optics	Finish	Kelvin/ Static Colors	Voltage	Controls	Accessories
M20 Standard	M (One-Way)	15 15 watt (with em max)	(standard only) (leave blank for flat) T2 Type II	AM Aluminum Metallic	27K 2700k	UNV 120-277V	NA Non Dimming 0-10V 0-10V Dimming	EMPK Integral 15W Emergency Battery Back up (not available with flat housing)
M20F Flat	B (Two-Way) (Flat only)	26 26 watt max	T3 Type III	IG Iron Gray	3K 3000k			
		14 14 watt (Flat only)	T4 Type IV	IR Iron Rust	35K 3500k		ELV ELV Dimming	FC Facade cover
		25 25 watt (Flat only) max		BK Textured Black	4K 4000k			FG Frosted glass
		XX Specify Wattage Must be below max		WH Textured White	5K* 5000K			EGR Egress Double Housing
				CC Custom Color	Consult factory for MOQ			PHC-B Photocell Button
					RED Satic Red (Flat Only)			OCC Occupancy Sensor
					GRN Static Green (Flat Only)			REM Remote battery back up
					BLU Static Blue (Flat Only)			BOL 40" Bollard
					AMB Static Amber (Flat Only)			LBOL 40" Line Bollard
								XXBOL Specify Bollard Height 40" Max 12" Min
								XXLBOL Specify Line Bollard Height 40" Max 12"Min

Performance in Lighting - 2621 Keys Pointe - Conyers, Georgia 30013 - USA - voice 770.822.2115 - info.usa@pil.lighting
www.performanceinlighting.com

NOTE:

MIMIK 20 IS AVAILABLE WITH ONE WAY EMISSIONS/ MONO-DIRECTIONAL
THE MIMIK 20 FLAT IS REQUIRED FOR TWO WAY EMISSIONS/BI-DIRECTIONAL

Revision 02
10/22