

# QUASAR 30



Wall sconce series. Fixtures consist of:

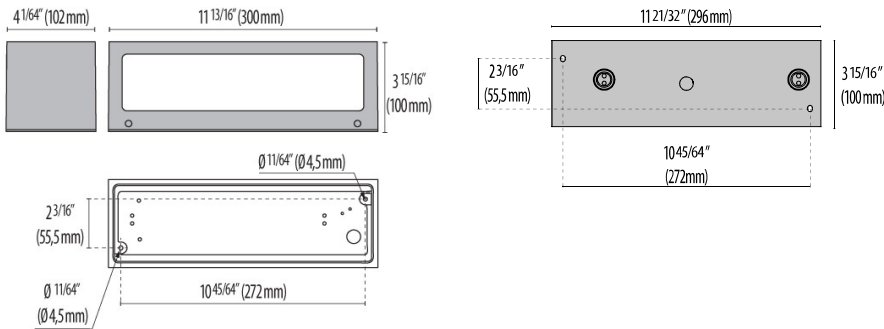
- Multi-step powder-coat painting process, optimized against UV rays and corrosion.
- Copper-free precision die-cast aluminum housing and mounting plate.
- Micro-prismatic patterned flat, tempered silk-screened soda-lime glass diffuser.
- Custom molded, anti-aging gasket(s).
- Stainless steel external hardware.
- High-efficiency COB, combined with an optimized passive cooling system, provides a long LED life.
- Internal specular reflector coated with 5-layers of PVD 99.98% pure aluminum providing >95% reflection.

- Single (TECH) or dual (DOUBLETECH) light emission.
- IESNA Type I light distribution.
- Input voltage: 120-277 V (50 / 60 Hz), integral 0-10 V dimming driver.
- Junction box mounting plate included (for 4" octagon box only, provided by others).
- Consult factory for dimming options, custom finishes (please specify RAL color), and non-cataloged CCT (Kelvin) options including static colors.
- Product meets Buy American Act requirements within ARRA.
- 5-year warranty.
- Marine Grade finish.
- Suitable for Natatorium applications.



## FINISHES

- AN-96 / Iron gray / Textured
- GR-94 / Aluminum metallic / Textured
- WH-87 / White / Textured
- BK-81 / Black / Textured
- RB-10 / Iron rust / Textured



QUASAR  
30



Scan here  
for installation  
instructions

Lumen Output	27K	3K	35K	4K	5K
Quasar 30 Tech	1272	1350	1427	1505	1582
Quasar 30 Double Tech	1944	2046	2148	2251	2352

22W/35W Max Wattage

# Order Guide - Quasar 30



Order code example

**Q30-B-WH-35-T1-T1-3K-120**

Q30-

--	--	--	--	--	--	--	--

Output	Wattage	Finish	Optics	Kelvin	Voltage	Controls	Options
<b>M</b> (One-Way)	<b>22</b> 22 watt (M Max)	<b>AM</b> Aluminum Metallic	Choose One for M & Two for B <b>T1</b> Type 1	<b>27K</b> 2700K	<b>UNV</b> 120-277V	<b>NA</b> Non Dimming	<b>REM</b> Remote Emergency Battery Back-Up
<b>B</b> (Two-Way)	<b>35</b> 35 watt (B Max)	<b>IG</b> Iron Gray	<b>NB</b> Narrow Beam	<b>3K</b> 3000K			
	<b>XX</b> Specify Wattage Must be below max	<b>IR</b> Iron Rust		<b>35K</b> 3500K		<b>0-10V</b> 0-10V Dimming	<b>CW REM</b> Cold Weather Remote Emergency Battery Back-Up -20°C to 55°C -4°F to 131°F
		<b>BK</b> Textured Black		<b>4K</b> 4000K			
		<b>WH</b> Textured White		<b>5K</b> 5000K		<b>ELV</b> ELV Dimming	<b>CON2</b> (single-gang j-box, adaptor plate and 1/2" knockouts)
		<b>CC</b> Custom Color		<b>BLU</b> Static Blue			
				<b>RED</b> Static Red			<b>CON4</b> (single-gang j-box, adaptor plate and 3/4" knockouts)
				<b>GRN</b> Static Green			
				<b>RGBW</b> RGBW Consult factory for control details			