

QUASAR 30 CEILING



Ceiling mount series. Fixtures consist of:

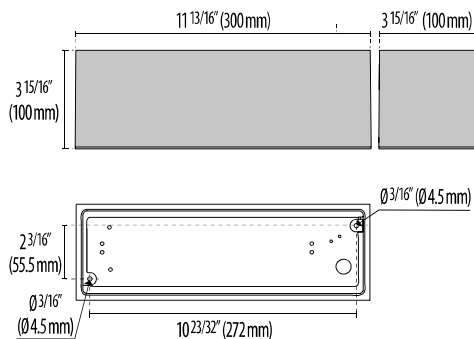
- Multi-step powder-coat painting process, optimized against UV rays and corrosion.
- Copper-free precision die-cast aluminum housing and mounting plate.
- Micro-prismatic patterned flat, tempered silk-screened soda-lime glass diffuser.
- Custom molded, anti-aging gasket(s).
- Stainless steel external hardware.
- High-efficiency COB, combined with an optimized passive cooling system, provides a long LED life.
- Internal specular reflector coated with 5-layers of PVD 99.98% pure aluminum providing >95% reflection.

- 90° x 95° beam angle (TECH)
- Input voltage: 120-277 V (50 / 60 Hz), integral 0-10 V dimming driver.
- Junction box mounting plate included (for 4" octagon box only, provided by others).
- Consult factory for dimming options, custom finishes (please specify RAL color), and non-cataloged CCT (Kelvin) options including static colors.
- Product meets Buy American Act requirements within ARRA.
- 5-year warranty.
- Marine Grade finish.
- Suitable for Natatorium applications.



FINISHES

- AN-96 / Iron gray / Textured
- GR-94 / Aluminum metallic / Textured
- WH-87 / White / Textured
- BK-81 / Black / Textured
- RB-10 / Iron rust / Textured



QUASAR 30 CEILING

Lumen Output	27K	3K	35K	4K	5K
Quasar 30 Ceiling	1689	1756	1822	1889	1955

Order Guide - Quasar 30 Ceiling



Order code example

Q30C-21-AM-27K-NA

Q30C-

Wattage	Finish	Kelvin	Voltage	Controls	Accessories
21W 21 watt (max) XX Specify Wattage Must be below max	AM Aluminum Metallic	27K 2700k	120 120 volts	NA Non Dimming	REM Remote Mounted Emergency Battery Back Up
	IG Iron Gray	3K 3000k	277 277 volts	0-10V 0-10V Dimming	
	IR Iron Rust	35K 3500k		ELV ELV Dimming	
	BK Textured Black	4K 4000k			
	WH Textured White	5K 5000k			
	CC Custom Color	BLU Static Blue			
		GRN Static Green			
	RED Static Red				
		RGBW RGBW Consult factory for control details			