

# HEDO+ FT



Area and site lighting series. Fixtures consist of:

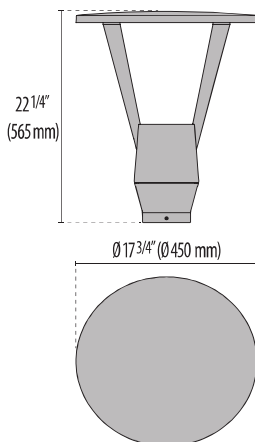
- Multi-step powder-coat painting process, optimized against UV rays and corrosion.
- Copper-free precision die-cast aluminum housing and top cap.
- Custom molded, anti-aging gasket(s).
- High-transmittance transparent optics.
- Extra-clear, tempered, silk-screened, flat glass diffuser.
- Stainless steel external hardware.
- Custom MCPCB utilized to maximize heat dissipation and promote a long LED life.
- IESNA Type II light distribution.
- IESNA Type V light distribution.
- Input voltage: 120-277 V (50 / 60 Hz), integral 0-10 V dimming driver.
- Integral surge protector can withstand up to 10 kV transient line surge.
- Pre-wired factory sealed cable for external electrical connection included.

- Consult factory for dimming options, marine-grade, custom finishes (please specify RAL color), and non-cataloged CCT (Kelvin) options including static colors.
- Consult factory for custom pre-wired factory sealed cable length options.
- Consult factory for pole information.
- Consult factory for wall bracket accessory, multi-head pole top mounting, and other custom options.
- Product meets Buy American Act requirements within ARRA.
- 5-year warranty.
- Marine Grade finish.
- Suitable for Natatorium applications.



## FINISHES

- BK-81 / Black / Textured
- AN-96 / Iron gray / Textured
- GR-94 / Aluminum metallic / Textured
- WH-87 / White / Textured
- RB-10 / Iron rust / Textured



Lumen Output	3K	4K
Hedo+ FT T2 19W	2109	2258
Hedo+ FT T2 27W	2945	3176
Hedo+FT T2 34W	3690	3971
Hedo+FT T2 40W	4291	4653
Hedo+FT T5 18W	2077	2185
Hedo+FT T5 25W	2879	3024
Hedo+FT T5 36W	4132	4349
Hedo+FT T5 43W	4924	5189
Hedo+FT T5 50W	5319	5605

# Order Guide - Hedo+ FT



Order code example

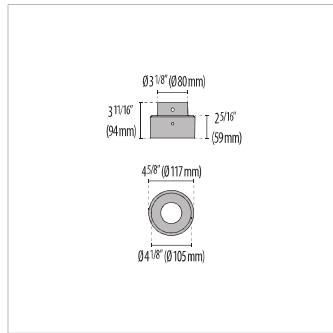
HFT- 27-T2-AM-3K-120-NA-8POLE

HFT-

Wattage	Optics	Finish	Kelvin	Voltage	Controls	Accessories
<p>---T2---</p> <p><b>19</b> 19 watt</p> <p><b>27</b> 27 watt</p> <p><b>34</b> 34 watt</p> <p><b>40</b> 40 watt (max)</p> <p><b>XX</b> Specify wattage must be below max</p>	<p><b>T2</b> Type 2</p> <p><b>T5</b> Type 5</p>	<p><b>AM</b> Aluminum Metallic</p> <p><b>IG</b> Iron Gray</p> <p><b>IR</b> Iron Rust</p> <p><b>BK</b> Textured Black</p> <p><b>WH</b> Textured White</p> <p><b>CC</b> Custom Color</p>	<p><b>3K</b> 3000K</p> <p><b>4K</b> 4000K</p>	<p><b>120</b> 120 volts</p> <p><b>277</b> 277 volts</p>	<p><b>NA</b> Non Dimming</p> <p><b>0-10V</b> 0-10V Dimming</p> <p><b>ELV</b> ELV Dimming</p>	<p><b>4"Adaptor</b> 4 Inch pole adaptor</p> <p><b>GFCI</b> Pole mounted GFCI</p> <p><b>8Pole</b> Pole 8' Ø4"</p> <p><b>10Pole</b> Pole 10' Ø4"</p> <p><b>12Pole</b> Pole 12' Ø4"</p> <p><b>14Pole</b> Pole 14' Ø4"</p> <p><b>16Pole</b> Pole 16' Ø4"</p> <p><b>XXP</b> Specify Pole height</p>
<p>---T5---</p> <p><b>18</b> 18 watt</p> <p><b>25</b> 25 watt</p> <p><b>36</b> 36 watt</p> <p><b>43</b> 43 watt</p> <p><b>50</b> 50 watt (max)</p> <p><b>XX</b> Specify wattage must be below max</p>						

# OPTIONAL ACCESSORIES

DESCRIPTION	FINISH	PART NUMBER
<b>HEDO+</b>		
Pole adapter 4" HEDO+		<b>3111179</b>
Pole 8' Ø4"		<b>71408403</b>
Pole 10' Ø4"		<b>71410403</b>
Pole 12' Ø4"		<b>71412403</b>
Pole 14' Ø4"		<b>71414403</b>
Pole 16' Ø4"		<b>71416403</b>



**3111179**

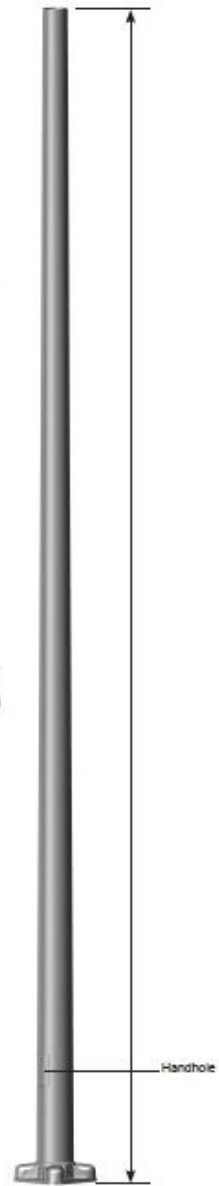
**Cross Section**



**Handhole**



**Nut Covers (Standard)**



**STANDARD POLE OPTIONS:**

- Poles are rated for 130mph (contact factory for poles with higher wind and weight ratings).
- Contact factory for additional pole heights and finishes, as well as banner arms and an integrated GFCI outlet option.
- Anchor bolts and templates can ship ahead of the poles to help expedite installation schedules.

