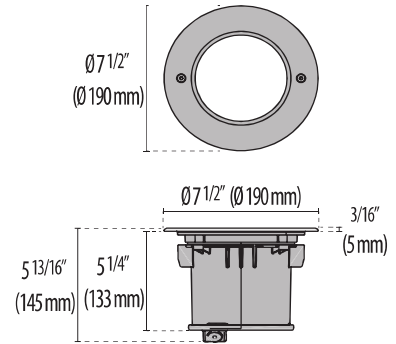


# CRICKET+15



CRICKET+  
15



In-ground series. Fixtures consist of:

- Copper-free die-cast corrosion-resistant aluminum housing and trim.
- Copper-free die-cast corrosion-resistant aluminum housing.
- AISI 316 stainless steel trim.
- Extra-clear, tempered, silk-screened, flat glass diffuser.
- Frosted, tempered, silk-screened, flat glass diffuser (C/EW versions).
- Custom molded, anti-aging gasket(s).
- Stainless steel external hardware.
- Custom MCPCB utilized to maximize heat dissipation and promote long LED life.
- High-transmittance transparent optics.
- Circular Intensive beam angle (C/I).
- Circular Medium beam angle (C/M).
- Diffuse light emission (C/EW).
- Input voltage: 120-277V (50 / 60 Hz), integral driver.
- Pre-wired factory sealed cable for external electrical connection included.

- Each rough-in kit is provided with a protective faceplate to avoid possible deformations during the installation in concrete to simplify installation.
- Thermoplastic compression-molded rough-in kit can be ordered separately.
- For outdoor inground applications, provide drainage gravel at least 12" below the rough-in or a suitable drainage system.
- Frosted (FRST) and Non-Slip (NS) glass option available - add suffix to any part number.
- Consult factory for additional optic options.
- Consult factory for dimming options, marine-grade, custom finishes (please specify RAL color), and non-cataloged CCT (Kelvin) options including static colors.
- Product meets Buy American Act requirements within ARRA.
- 5-year warranty.
- Marine Grade finish.
- Suitable for Natatorium applications.



## FINISHES

- AN-96 / Iron gray / Textured
- INOX / Stainless steel / Matt
- BK-81 / Black / Textured
- GR-94 / Aluminum metallic / Textured
- WH-87 / White / Textured
- RB-10 / Iron rust / Textured

Lumen Output	27K	3K	35K	4K	6K
Cricket+15 C/I 14W	966	1000	1034	1069	1103
Cricket+15 C/M 14W	1086	1125	1164	1203	1242
Cricket+15 A/M 14W	647	671	694	717	740



Scan here  
for installation  
instructions

FIXTURES INCLUDE 120-277V 50/60HZ INTEGRAL DRIVERS UNLESS OTHERWISE NOTED

Revision 01  
01/24

# Order Guide - Cricket+



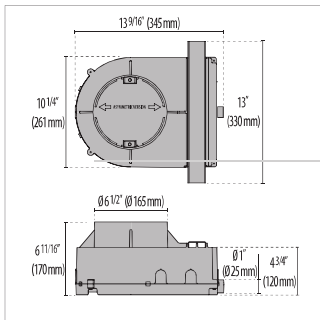
Order code example

**C+-15-6-C/I-AM-3K-NA-FRST**

Housing Style	Wattage	Optics	Finish	Kelvin	Voltage	Controls	Options
<b>15</b> Cricket+15	<b>14</b> 14 watt Cricket +15 Max  <b>XX</b> Specify wattage must be below max	<b>C/I</b> 8°  <b>C/M</b> 30°  <b>A/M</b> Asymmetric Wall Washer 30°	<b>AM</b> Aluminum Metallic  <b>IG</b> Iron Gray  <b>IR</b> Iron Rust  <b>BK</b> Textured Black  <b>WH</b> Textured White  <b>INOX</b> Stainless Steel  <b>CC</b> Custom Color	<b>27K</b> 2700K  <b>3K</b> 3000k  <b>35K</b> 3500K  <b>4K</b> 4000k  <b>AMB**</b> Static Amber  <b>RED**</b> Static Red  **Consult factory for MOQ	<b>UNV</b> 120-277V	<b>NA</b> Non Dimming  <b>0-10V</b> 0-10V Dimming  <b>ELV</b> ELV Dimming	<b>FRST</b> Frosted Glass  <b>NS</b> Non-Slip Glass  <b>LVR</b> Hex Louver  <b>TP</b> Tamper Proof hardware

## INCLUDED ACCESSORIES

DESCRIPTION	FINISH	PART NUMBER
CRICKET+ 15 Recessed fixing kit		3111136



3111136

