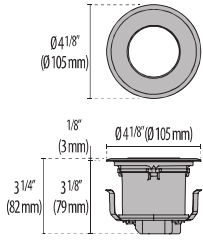
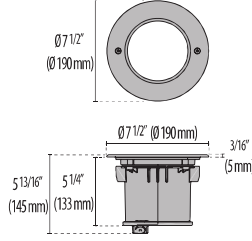


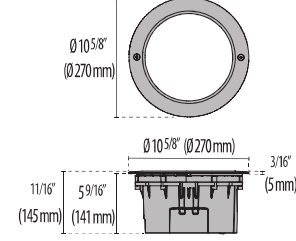
# CRICKET+



CRICKET+  
10



CRICKET+  
15

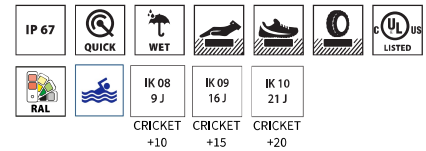


CRICKET+  
20

In-ground series. Fixtures consist of:

- Copper-free die-cast corrosion-resistant aluminum housing and trim.
- Copper-free die-cast corrosion-resistant aluminum housing.
- AISI 316 stainless steel trim.
- Extra-clear, tempered, silk-screened, flat glass diffuser.
- Frosted, tempered, silk-screened, flat glass diffuser (C/ EW versions).
- Custom molded, anti-aging gasket(s).
- Stainless steel external hardware.
- Custom MCPCB utilized to maximize heat dissipation and promote long LED life.
- High-transmittance transparent optics.
- Circular Intensive beam angle (C/I).
- Circular Medium beam angle (C/M).
- Diffuse light emission (C/EW).
- Input voltage: 120-277V (50 / 60 Hz), integral driver.
- Pre-wired factory sealed cable for external electrical connection included.

- Each rough-in kit is provided with a protective faceplate to avoid possible deformations during the installation in concrete to simplify installation.
- Thermoplastic compression-molded rough-in kit to be ordered separately.
- For outdoor inground applications, provide drainage gravel at least 12" below the rough-in or a suitable drainage system.
- Frosted (FRST) and Non-Slip (NS) glass option available - add suffix to any part number.
- Consult factory for additional optic options.
- Consult factory for dimming options, marine-grade, custom finishes (please specify RAL color), and non-cataloged CCT (Kelvin) options including static colors.
- Product meets Buy American Act requirements within ARRA.
- 5-year warranty.
- Marine Grade finish.
- Suitable for Natatorium applications.



## FINISHES

- AN-96 / Iron gray / Textured
- INOX / Stainless steel / Matt
- BK-81 / Black / Textured
- GR-94 / Aluminum metallic / Textured
- WH-87 / White / Textured
- RB-10 / Iron rust / Textured

Lumen Output	27K	3K	35K	4K	6K
Cricket+10 C/EW	127	132	137	142	147
Cricket+10 C/I	400	415	430	446	461
Cricket+10 C/M	391	406	421	436	451
Cricket+15 A/M	647	671	694	717	740
Cricket+15 C/I	966	1000	1034	1069	1103
Cricket+15 C/M	1086	1125	1164	1203	1242
Cricket+20 A/M	1732	1793	1854	1916	1977
Cricket+20 C/I	2102	2177	2251	2326	2400
Cricket+20 C/M	2292	2373	2454	2536	2617

# Order Guide - Cricket+



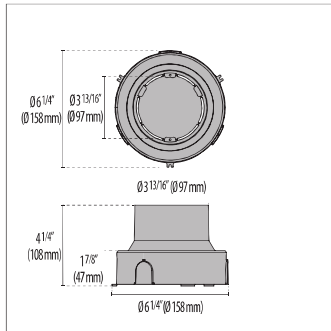
Order code example

**C+-10-6-C/I-AM-3K-NA-FRST**

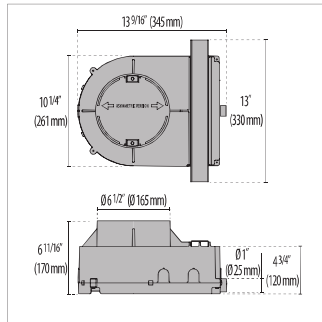
Housing Style	Wattage	Optics	Finish	Kelvin	Voltage	Controls	Options
<b>10</b> Cricket+10	<b>6</b> 6 watt (+10 Max)	<b>C/I</b> 8°	<b>AM</b> Aluminum Metallic	<b>27K</b> 2700K	<b>120</b> 120 volts	<b>NA</b> Non Dimming	<b>FRST</b> Frosted Glass
<b>15</b> Cricket+15	<b>14</b> 14 watt (+15 Max)	<b>C/M</b> 30°	<b>IG</b> Iron Gray	<b>3K</b> 3000k	<b>277</b> 277 volts	<b>0-10V</b> 0-10V Dimming	<b>NS</b> Non-Slip Glass
<b>20</b> Cricket+20	<b>26</b> 26 watt (+20 Max)	<b>C/W</b> 88°	<b>IR</b> Iron Rust	<b>35K</b> 3500K		<b>ELV</b> ELV Dimming	
	<b>XX</b> Specify wattage must be below max	<b>A/M</b> Asymmetric Wall Washer 30° (+15/+20 Only)	<b>BK</b> Textured Black  <b>WH</b> Textured White  <b>BRS</b> Brass (+10 Only)  <b>INOX</b> Stainless Steel  <b>CC</b> Custom Color	<b>4K</b> 4000k			

## REQUIRED FOR INSTALLATION

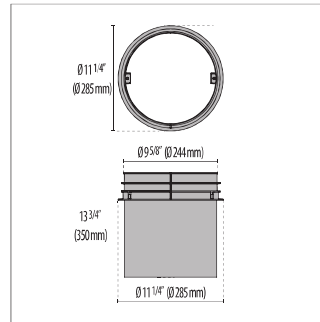
DESCRIPTION	FINISH	PART NUMBER
CRICKET+ 10 Recessed fixing kit		<b>3109879</b>
CRICKET+ 15 Recessed fixing kit		<b>3111136</b>
CRICKET+ 20 Recessed fixing kit		<b>3111135</b>



3109879



3111136



3111135