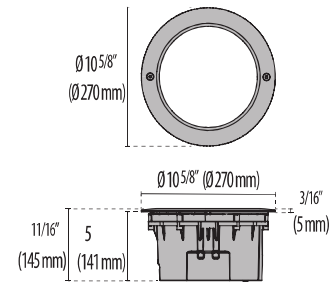


CRICKET+20



CRICKET+
20

In-ground series. Fixtures consist of:

- Copper-free die-cast corrosion-resistant aluminum housing and trim.
- Copper-free die-cast corrosion-resistant aluminum housing.
- AISI 316 stainless steel trim.
- Extra-clear, tempered, silk-screened, flat glass diffuser.
- Frosted, tempered, silk-screened, flat glass diffuser (C/EW versions).
- Custom molded, anti-aging gasket(s).
- Stainless steel external hardware.
- Custom MCPCB utilized to maximize heat dissipation and promote long LED life.
- High-transmittance transparent optics.
- Circular Intensive beam angle (C/I).
- Circular Medium beam angle (C/M).
- Diffuse light emission (C/EW).
- Input voltage: 120-277V (50 / 60 Hz), integral driver.
- Pre-wired factory sealed cable for external electrical connection included.

- Each rough-in kit is provided with a protective faceplate to avoid possible deformations during the installation in concrete to simplify installation.
- Thermoplastic compression-molded rough-in kit can be ordered separately.
- For outdoor inground applications, provide drainage gravel at least 12" below the rough-in or a suitable drainage system.
- Frosted (FRST) and Non-Slip (NS) glass option available - add suffix to any part number.
- Consult factory for additional optic options.
- Consult factory for dimming options, marine-grade, custom finishes (please specify RAL color), and non-cataloged CCT (Kelvin) options including static colors.
- Product meets Buy American Act requirements within ARRA.
- 5-year warranty.
- Marine Grade finish.
- Suitable for Natatorium applications.



FINISHES

- AN-96 / Iron gray / Textured
- INOX / Stainless steel / Matt
- BK-81 / Black / Textured
- GR-94 / Aluminum metallic / Textured
- WH-87 / White / Textured
- RB-10 / Iron rust / Textured

Lumen Output	27K	3K	35K	4K	6K
Cricket+20 C/I 26W	2102	2177	2251	2326	2400
Cricket+20 C/M 26W	2292	2373	2454	2536	2617
Cricket+20 A/M 26W	1732	1793	1854	1916	1977



Scan here
for installation
instructions

FIXTURES INCLUDE 120-277V 50/60HZ INTEGRAL DRIVERS UNLESS OTHERWISE NOTED

Revision 02
01/24

Order Guide - Cricket+



Order code example

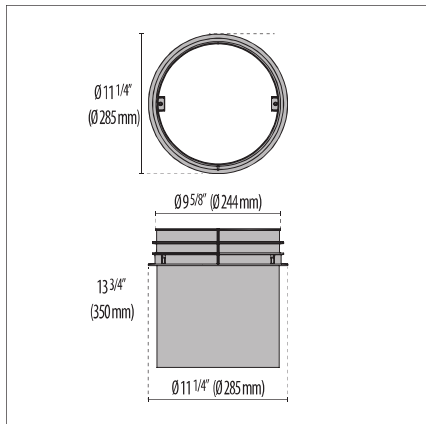
C+-20-6-C/I-AM-3K-NA-FRST

C+

Housing Style	Wattage	Optics	Finish	Kelvin	Voltage	Controls	Options
20 Cricket+20	26 26 watt Cricket +20	C/I 8°	AM Aluminum Metallic	27K 2700K	UNV 120-277V	NA Non Dimming	FRST Frosted Glass
	42 42 watt Cricket +20 Max - (25°C Ambient temp)	C/M 30°	IG Iron Gray	3K 3000k	not suitable for RGBW	0-10V 0-10V Dimming	NS Non-Slip Glass
	XX Specify wattage must be below max	A/M Asymmetric Wall Washer 30°	IR Iron Rust	35K 3500K		ELV ELV Dimming	LVR Hex Louver
			BK Textured Black	4K 4000k			TP Tamper Proof hardware
			WH Textured White	AMB** Static Amber			
			INOX Stainless Steel	RED** Static Red			
			CC Custom Color	RGBW* (16.5W)			
				*Consult factory for control details			
				**Consult factory for MOQ			

INCLUDED ACCESSORIES

DESCRIPTION	FINISH	PART NUMBER
CRICKET+ 20		
Recessed fixing kit		3111135



3111135

OPTIONAL RGBW ACCESSORIES

DESCRIPTION	FINISH	PART NUMBER
Controls		
Kit driver 48V		17433
Kit driver 48V Wet Location		17096



Product is supplied with integral DMX controllers, and remote 48VDC power supply. Controls by others.

TECHNICAL DATA

CRICKET+20

