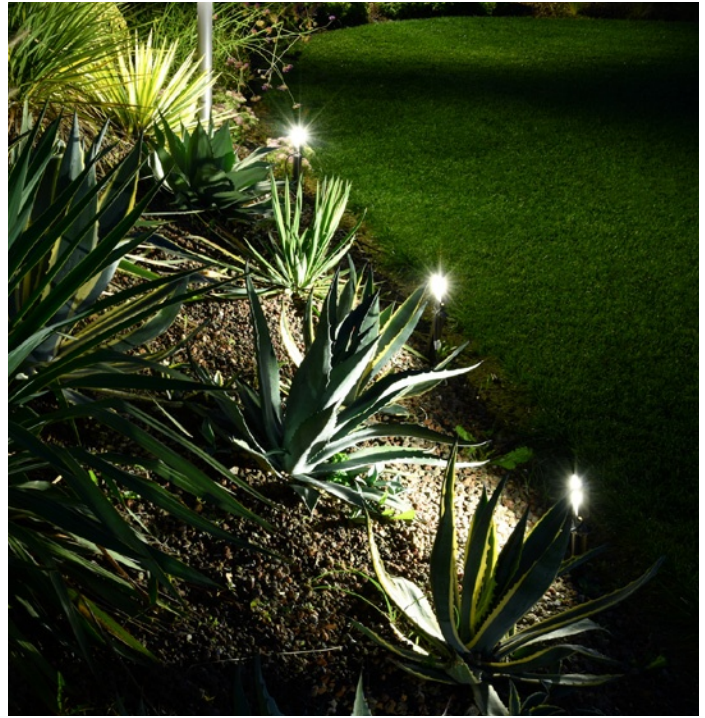


TYK+ 10



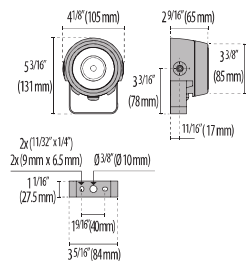
Long-lasting energy-efficient flood and accent light series for lighting landscapes, trees, columns, monuments, and architectural details.

- Multi-step powder-coat painting process, optimized against UV rays and corrosion.
- Copper-free precision die-cast aluminum housing, and adjustable stainless steel mounting bracket.
- Stainless steel graduated ferrules for aiming purposes on both sides of the fixture.
- Extra-clear, tempered, silk-screened, flat glass diffuser.
- Custom molded, anti-aging gasket(s).
- Stainless steel external hardware.
- Custom MCPCB utilized to maximize heat dissipation and promote long LED life.
- NEMA 2H X 2V light distribution (C/I)
- NEMA 4H X 4V light distribution (C/M)
- NEMA 5H X 5V light distribution (C/IW)
- High-transmittance transparent optics.
- NEMA 5H X 5V light distribution (ELL).
- Input voltage: 120-277V (50 / 60 Hz), integral driver.
- Standard tear-proof nickelled brass cable gland M16x1.5 for cables Ø0,2" - Ø0,4"
- Pre-wired factory sealed cable for external electrical connection included.
- Standard robust 1/2" NPS knuckle mount with 180° adjustable swivel arm (SA versions) and rugged, locking teeth for a simplified installation.
- Matching junction box plate optional accessory available (ordered separately).
- The TYK+ 10 RM versions to be powered solely with the power supply units available as accessories (ordered separately).
- Maximum cable length of 10 meters between the power supply unit and the related floodlights.
- RM (Remote Driver) version are granted for a - 40°F working temperature.
- SA version add -RM for remote driver.
- Consult factory for dimming options, marine-grade, custom finishes (please specify RAL color), and non-cataloged CCT (Kelvin) options including static colors.
- Consult factory for additional optic options.
- Product meets Buy American Act requirements within ARRA.
- 5-year warranty.
- Marine Grade finish.
- Suitable for Natatorium applications.

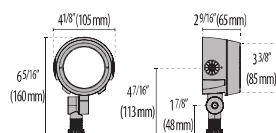


FINISHES

- AN-96 / Iron gray / Textured
- BK-81 / Black / Textured
- GR-94 / Aluminum metallic / Textured
- WH-87 / White / Textured
- RB-10 / Iron rust / Textured



TYK+
10



TYK+
10 SA

Lumen Output	3K	4K
TYK+10 C/I	518	560
TYK+10 C/IW	542	585
TYK+10 C/M	554	598
TYK+10 9°x70°	439	474

8W Max Wattage

Order Guide - TYK+10



Order code example

TYK+10-YO-8-C/M-AM-3K-120-NA

TYK+10-

Housing Style	Wattage	Optics	Finish	Kelvin	Voltage	Controls	Accessories
YO Yoke	6 6 watt	C/I 10° Beam	AM Aluminum Metallic	27K* 2700k	120 120 volts	NA Non Dimming	RDR Remote Mounted LED Driver (6W)
SA Swivel	8 8 watt (max)	C/IW 65° Beam	IG Iron Gray	3K 3000k	277 277 volts (remote only)	0-10V 0-10V Dimming (remote only)	AGS Anti-Glare Snoot
	XX Specify Wattage Must be below max	C/M 34°	IR Iron Rust	35K 3500k		ELV ELV Dimming (remote only)	GS Ground Spike
		ELL 9°x70°	BK Textured Black	4K 4000k			ERB Extra rotation bracket
			WH Textured White	6K* 6000k			JBOX Jbox cover Plate
			CC Custom Color	RGBW* RGBW			BD Barn door kit
				Tunable White* 2700-5700K			XX'CABLE Specify length of factory installed cable
				*Consult factory for control details			
				MOQ 20 27K, 6000K			

OPTIONAL ACCESSORIES

DESCRIPTION	FINISH	PART NUMBER
Optical accessories		
Anti-glare snoot	●	3107463
Kit barndoor	●	3112969
Wall mount		
JBox cover plate - Iron gray	●	07959
Surface mount		
Extra rotation bracket +25°/-90°	●	3108556
Stake mount		
Ground spike	●	700191



3107463



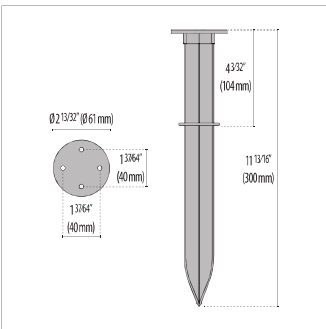
3112969



07959



3108556



700191

RGBW ACCESSORIES

DESCRIPTION	FINISH	PART NUMBER
Controls		
Kit driver 48V		17433
Kit driver 48V Wet Location		17096



Product is supplied with integral DMX controllers, and remote 48VDC power supply. Controls by others.