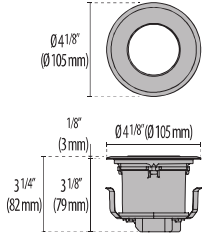
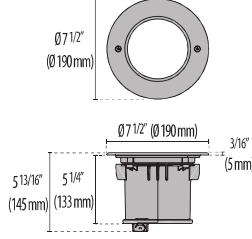


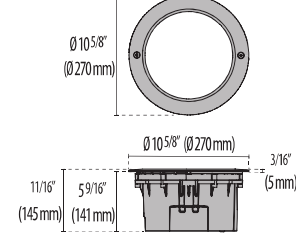
CRICKET+



CRICKET+
10



CRICKET+
15

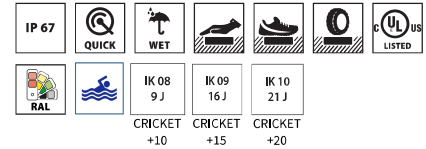


CRICKET+
20

In-ground series. Fixtures consist of:

- Copper-free die-cast corrosion-resistant aluminum housing and trim.
- Copper-free die-cast corrosion-resistant aluminum housing.
- AISI 316 stainless steel trim.
- Extra-clear, tempered, silk-screened, flat glass diffuser.
- Frosted, tempered, silk-screened, flat glass diffuser (C/ EW versions).
- Custom molded, anti-aging gasket(s).
- Stainless steel external hardware.
- Custom MCPCB utilized to maximize heat dissipation and promote long LED life.
- High-transmittance transparent optics.
- Circular Intensive beam angle (C/I).
- Circular Medium beam angle (C/M).
- Diffuse light emission (C/EW).
- Input voltage: 120-277V (50 / 60 Hz), integral driver.
- Pre-wired factory sealed cable for external electrical connection included.

- Each rough-in kit is provided with a protective faceplate to avoid possible deformations during the installation in concrete to simplify installation.
- Thermoplastic compression-molded rough-in kit to be ordered separately.
- For outdoor inground applications, provide drainage gravel at least 12" below the rough-in or a suitable drainage system.
- Frosted (FRST) and Non-Slip (NS) glass option available - add suffix to any part number.
- Consult factory for additional optic options.
- Consult factory for dimming options, marine-grade, custom finishes (please specify RAL color), and non-cataloged CCT (Kelvin) options including static colors.
- Product meets Buy American Act requirements within ARRA.
- 5-year warranty.
- Marine Grade finish.
- Suitable for Natatorium applications.



FINISHES

- AN-96 / Iron gray / Textured
- INOX / Stainless steel / Matt
- BK-81 / Black / Textured
- GR-94 / Aluminum metallic / Textured
- WH-87 / White / Textured
- RB-10 / Iron rust / Textured

Lumen Output	27K	3K	35K	4K	6K
Cricket+10 C/EW	127	132	137	142	147
Cricket+10 C/I	400	415	430	446	461
Cricket+10 C/M	391	406	421	436	451
Cricket+15 A/M	647	671	694	717	740
Cricket+15 C/I	966	1000	1034	1069	1103
Cricket+15 C/M	1086	1125	1164	1203	1242
Cricket+20 A/M	1732	1793	1854	1916	1977
Cricket+20 C/I	2102	2177	2251	2326	2400
Cricket+20 C/M	2292	2373	2454	2536	2617

6W, 14W, 26W Max Wattage

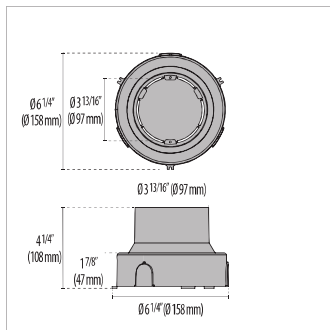
Order code example

C+-10-6-C/I-AM-3K-NA-FRST

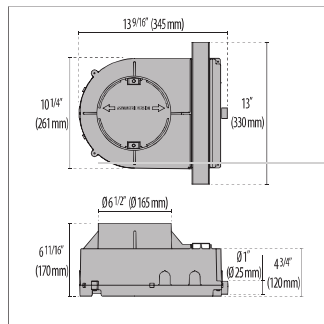
Housing Style	Wattage	Optics	Finish	Kelvin	Voltage	Controls	Options
10 Cricket+10	6 6 watt (+10 Max)	C/I 8°	AM Aluminum Metallic	27K 2700K	120 120 volts	NA Non Dimming	FRST Frosted Glass
15 Cricket+15	14 14 watt (+15 Max)	C/M 30°	IG Iron Gray	3K 3000k	277 277 volts	0-10V 0-10V Dimming Remote only +10	NS Non-Slip Glass
20 Cricket+20	26 26 watt (+20 Max)	C/W 88° +10 Only	IR Iron Rust	35K 3500K		ELV ELV Dimming +15 &+20 Only	
	XX Specify wattage must be below max	A/M Asymmetric Wall Washer 30° (+15/+20 Only)	BK Textured Black	4K 4000k			
			WH Textured White	RGBW* +10,+20 Only			
			BRS Brass (+10 Only)	Tunable White* +10 Only			
			INOX Stainless Steel				
			CC Custom Color				
				*Consult factory for control details			

REQUIRED FOR INSTALLATION

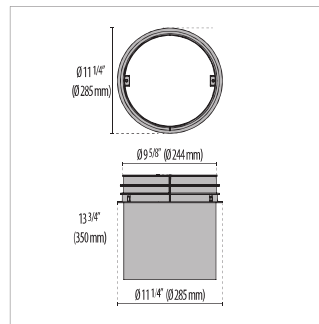
DESCRIPTION	FINISH	PART NUMBER
CRICKET+ 10		
Recessed fixing kit		3109879
Recessed fixing kit - RGBW/TW		3113571
CRICKET+ 15		
Recessed fixing kit		3111136
CRICKET+ 20		
Recessed fixing kit		3111135



3109879

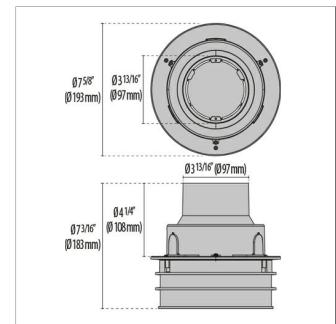


3111136



3111135

Rough-in Kit CRICKET+ 10 RGBW/TW



3113571

RGBW ACCESSORIES

DESCRIPTION	FINISH	PART NUMBER
Controls		
Kit driver 48V		17433
Kit driver 48V Wet Location		17096



Product is supplied with integral DMX controllers, and remote 48VDC power supply. Controls by others.