

KHA SLIM 50"



Slim area and site lighting series. Fixtures consist of:

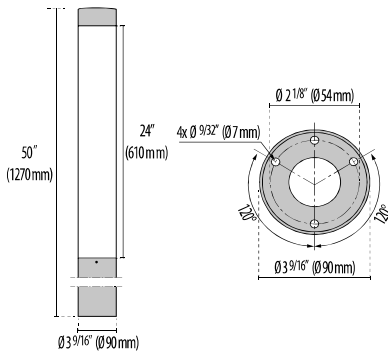
- Multi-step powder-coat painting process, optimized against UV rays and corrosion.
- Copper-free aluminum extruded post.
- Copper-free precision die-cast aluminum housing and top cap.
- Corrosion-resistant AISI 316 stainless steel post and top cap.
- Satin UV-stabilized diffuser.
- Custom molded, anti-aging gasket(s).
- Stainless steel external hardware.
- Custom MCPCB utilized to maximize heat dissipation and promote long LED life.
- Diffuse light emission.
- IESNA Type V light distribution.
- Input voltage: 120-277V (50 / 60 Hz), integral driver.

- Anchor bolts available for bollards (ordered separately).
- Suitable for most coastal applications (stainless steel versions).
- Five optional finishes available. Add finish suffix to any part number for textured Black (BK-81), Iron gray (AN-96), Aluminum metallic (GR-94), White (WH-87), Iron rust (RB-10) when not standard.
- Consult factory for dimming options, marine-grade, custom finishes (please specify RAL color), and non-cataloged CCT (Kelvin) options including static colors.
- Consult factory for custom post height options.
- Consult factory for HSS and other Shield options.
- Product meets Buy American Act requirements within ARRA.
- 5-year warranty.
- Marine Grade finish.
- Suitable for Natatorium applications.



FINISHES

- AN-96 / Iron gray / Textured
- BK-81 / Black / Textured
- GR-94 / Aluminum metallic / Textured
- WH-87 / White / Textured
- INOX / Stainless steel / Matt
- RB-10 / Iron rust / Textured



KHA SLIM
50"

Lumen Output	27K	3K	35K	4K	5K
Kha Slim 50" 24"Diffuser	4776	4914	5052	5190	5328



Order Guide - Kha Slim 50"

Order code example **KHA50-50-24-50-SS-3K-120-NA-DB**

KHA50-							
Bollard Height	Diffuser Size	Wattage	Finish	Kelvin	Voltage	Controls	Accessories
50 50 Inch (Min)	12 12" diffuser 38" Min Height 25W Max	25 25 watt	SS Stainless Steel	27K 2700k	120 120 volts	NA Non Dimming	DB Direct Burial
		40 40 watt	AM Aluminum Metallic	3K 3000k		0-10V 0-10V Dimming	BT Bubble Trim
XX Specify Height Must be within range	24 24" diffuser 50" Min Height 50W Max	50 50 watt (max)	IG Iron Gray	35K 3500k	277 277 volts	ELV ELV Dimming	DIA Diamond Trim
		XX Specify Wattage Must be below max	IR Iron Rust	4K 4000k			GRL Grill Trim
			BK Textured Black	5K 5000k			PER Perforated Shield Full
			WH Textured White	65K 6500k			PHSS Perforated House Side Shield
			CC Custom Color	RED Static Red			RIB Ribbon Trim
			BLU Static Blue	GRN Static Green			ANG Angle Trim
			AMB Static Amber	4WIN Four Window			
			RGBW RGBW* Only available with 24" diffuser Contact factory for control details				