

KHA SLIM 50"



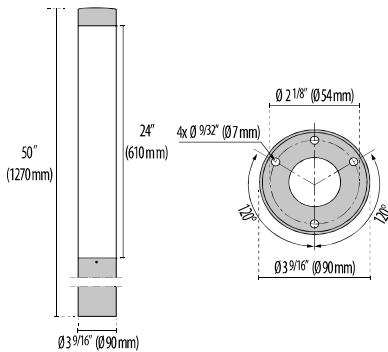
Slim area and site lighting series. Fixtures consist of:

- Multi-step powder-coat painting process, optimized against UV rays and corrosion.
- Copper-free aluminum extruded post.
- Copper-free precision die-cast aluminum housing and top cap.
- Corrosion-resistant AISI 316 stainless steel post and top cap.
- Satin UV-stabilized diffuser.
- Custom molded, anti-aging gasket(s).
- Stainless steel external hardware.
- Custom MCPCB utilized to maximize heat dissipation and promote long LED life.
- Diffuse light emission.
- IESNA Type V light distribution.
- Input voltage: 120-277V (50 / 60 Hz), integral driver.
- Anchor bolts available for bollards (ordered separately).
- Suitable for most coastal applications (stainless steel versions).
- Five optional finishes available. Add finish suffix to any part number for textured Black (BK-81), Iron gray (AN-96), Aluminum metallic (GR-94), White (WH-87), Iron rust (RB-10) when not standard.
- Consult factory for dimming options, marine-grade, custom finishes (please specify RAL color), and non-cataloged CCT (Kelvin) options including static colors.
- Consult factory for custom post height options.
- Consult factory for HSS and other Shield options.
- Product meets Buy American Act requirements within ARRA.
- 5-year warranty.
- Marine Grade finish.
- Suitable for Natatorium applications.



FINISHES

- AN-96 / Iron gray / Textured
- BK-81 / Black / Textured
- GR-94 / Aluminum metallic / Textured
- WH-87 / White / Textured
- INOX / Stainless steel / Matt
- RB-10 / Iron rust / Textured



KHA SLIM
50"



Scan Here for
Installation Instructions

Lumen Output	Wattage	4K /80CRI
12" Diffuser	25W max	2595lm
24" Diffuser	50W max	5190lm

Contact factory for other CCT's and reduced lumen options

Revision 03
10/22



Order Guide - Kha Slim 50"

Order code example **KHA50-50-24-50-SS-3K-120-NA-DB**

KHA50-

Bollard Height	Diffuser Size	Wattage	Finish	Kelvin	Voltage	Controls	Accessories			
50 50 Inch XX Specify Height Must be within range	12 12" diffuser 38" Min Height 25W Max	25 25 watt (12" max)	SS Stainless Steel	27K 2700k	UNV 120-277V	NA Non Dimming 0-10V 0-10V Dimming ELV ELV Dimming	DB Direct Burial			
			AM Aluminum Metallic	3K 3000k			BT Bubble Trim			
			IG Iron Gray	35K 3500k			DIA Diamond Trim			
	24 24" diffuser 50" Min Height 50W Max	40 40 watt	IR Iron Rust	4K 4000k			GRL Grill Trim			
			BK Textured Black	5K 5000k			PER Perforated Shield Full			
			WH Textured White	65K 6500k			PHSS Perforated House Side Shield			
	48 48" Diffuser 74" Min Height 75W Max	50 50 watt (24" max)	CC Custom Color	RED Static Red			RIB Ribbon Trim			
			XX Specify Wattage Must be below max	BLU Static Blue			ANG Angle Trim			
			XX Specify Wattage Must be below max	GRN Static Green			4WIN Four Window			
				AMB Static Amber						
				RGBW RGBW* Only available with 24" diffuser Contact factory for control details						

Performance in Lighting reserves the right to make all necessary changes without prior notice.

Performance in Lighting - 2621 Keys Pointe - Conyers, Georgia 30013 - USA - voice 770.822.2115 - info.usa@pil.lighting
www.performanceinlighting.com

Revision 03
10/22