

INSERT+ZERO GLASS

PERFORMANCE
in LIGHTING

powered by
GEWISS



Recessed wall steplight series. Fixtures consist of:

- Multi-step powder-coat painting process, optimized against UV rays and corrosion.
- Copper-free (<1%) precision die-cast aluminum housing and ring/faceplate.
- Frosted, tempered, silk-screened, flat glass diffuser.
- Custom molded, anti-aging gasket(s).
- Stainless steel external hardware.
- Custom MCPCB utilized to maximize heat dissipation and promote long LED life.
- Screen-printed toughened glass front diffuser (GLASS options)
- Diffuse light emission.
- Input voltage: 120-277 V (50 / 60 Hz), integral driver.
- Mud Ring included for INSERT+ ZERO / ZERO CLIPS (J-Box provided by others).
- The luminaire may be configured with numerous options and multiple standard finishes. Not all options are available in all configurations. Consult factory for more information about specification sheet details to build your light.
- 5-year warranty.
- Consult factory for any Buy American Act (BAA) or Build America Buy America Act (BABAA) requirements.

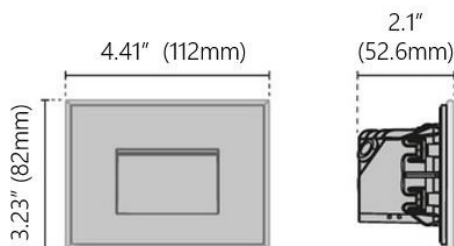


Standard finishes:

- WH-87 / White / Textured



Scan here for
installation instructions



LUMEN OUTPUT					
	27K	30K	35K	40K	50K
4W	85	90	95	100	110
6W	115	120	123	125	130

PERFORMANCE IN LIGHTING reserves the right to make all necessary changes without prior notice

PERFORMANCE in LIGHTING USA, Inc.
2621 Keys Pointe Conyers GA 30013 - United States
Tel: 770 822 2115

info.usa@pil.lighting
www.performanceinlighting.com/us

REVISION 08
08/25

Order Guide – INSERT+ZERO GLASS



Order code example: IN0G-CL-6-30K-WH-120V

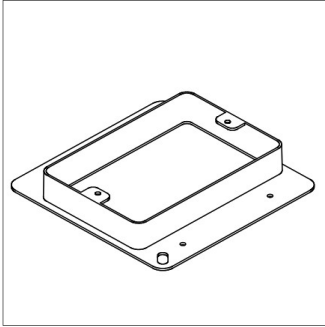
I+0G							
SERIES	Housing Style	Wattage	CCT	Finish	Voltage	Controls	Accessories
I+0G Insert+Zero Glass	CL Clip version	Integral Driver Options	27K 2700K	WH White*	UNV 120-277V* 120V 120V only	NA Non-Dimming* 0-10V 0-10V Dimming (Remote Driver Only)	RDR Remote driver (for dimming options) PLT Adaptor plate; specify dimensions
		4 4W*	30K* 3000K				
		6 6W* (max)	35K 3500K			ELV ELV Dimming (Remote Driver only)	BABAA Build America Buy America Act compliant (not available for all options)
		Remote Driver Options	40K* 4000K				
		2 2 watt	50K 5000K				
		3 3 watt	RED Red LED's				
		4 4 watt	GRN Green LED's				
		5 5 watt	BLUE Blue LED's				
		6 6 watt (max)	AMB Turtle-friendly amber LED's			Contact Factory for Remote driver options	Contact Factory about adaptor plate custom options

STANDARD OPTION, SHORTER LEAD TIME, NO MOQ

MUDRING INCLUDED WITH FIXTURE
80 CRI STANDARD - OTHER OPTIONS AVAILABLE

REQUIRED FOR INSTALLATION Included with Fixture

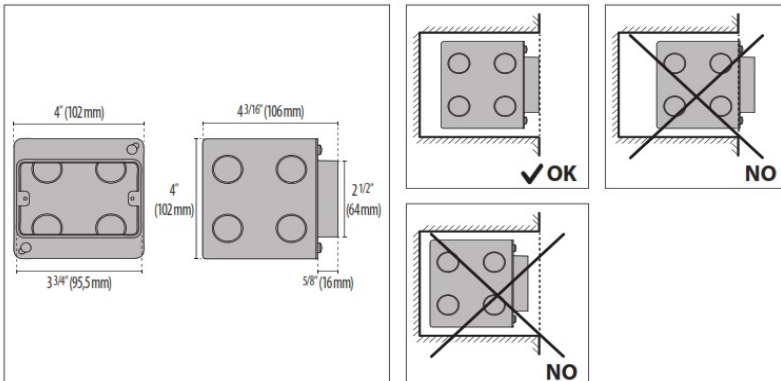
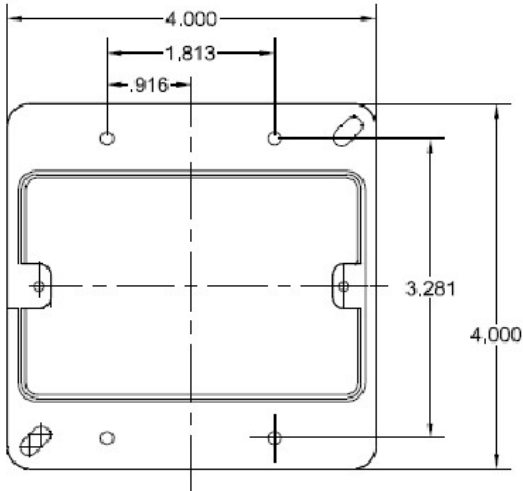
DESCRIPTION	FINISH	PART NUMBER
INSERT+ ZERO GLASS		
Mudring for 4x4x4 Jbox (Jbox by others)		1003



1003

JBOX BY OTHERS
4x4x4 DOUBLE GANG BOX REQUIRED

MUDRING INCLUDED WITH FIXTURE



PERFORMANCE IN LIGHTING reserves the right to make all necessary changes without prior notice