



**KHA CITY**

AREA LIGHTING | BOLLARDS

PRODUCT CODE

---

PROJECT

---

TYPE

---

PERFORMANCE  
**in** LIGHTING

powered by  
**GEWISS**



## Company

Performance in Lighting USA, located in Conyers, GA, is part of an international group of companies headquartered in Verona, Italy.

The group was formed from a number of well-established technical lighting companies from various countries. Performance in Lighting has a wide sales and distribution network operating in over 100 countries worldwide. Production facilities are located in Verona Italy, Bergamo Italy, Goslar Germany, Brussels Belgium, Conyers GA USA. Sales/distribution subsidiaries are located in England, Holland, France, Finland, Spain, Portugal, Australia, Dubai and Japan.

Recognized for its unique professional approach and technical know-how, Performance in Lighting has combined its international experience and technical expertise to become a worldwide leader in its industry. The group offers various lighting solutions worldwide for many applications including interior, exterior, residential, commercial, and sports lighting providing options to satisfy both architectural and engineering requirements.

Performance in Lighting USA concentrates on specification grade luminaires designed to provide a vast array of lighting solutions. Our concentration is outdoor products for illuminating commercial spaces from structural facades to parking areas. We strive to meet the demands of today's lighting community offering made in USA products, European designed with clean, contemporary aesthetics along with aggressive price points and fast lead times.

## Pronto Program

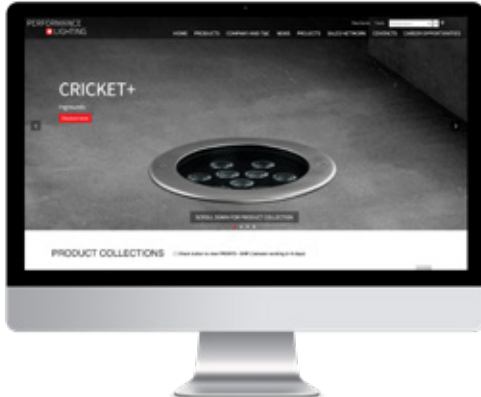
PERFORMANCE IN LIGHTING offers a wide range of quick ship fixtures through the Pronto Program and a host of options to fit within the unique budget of your next project.





## Overview

Click the QR-code for latest information.



## Website

Please visit our web site [www.performanceinlighting.com/us/us/](http://www.performanceinlighting.com/us/us/) for the latest updated versions available.



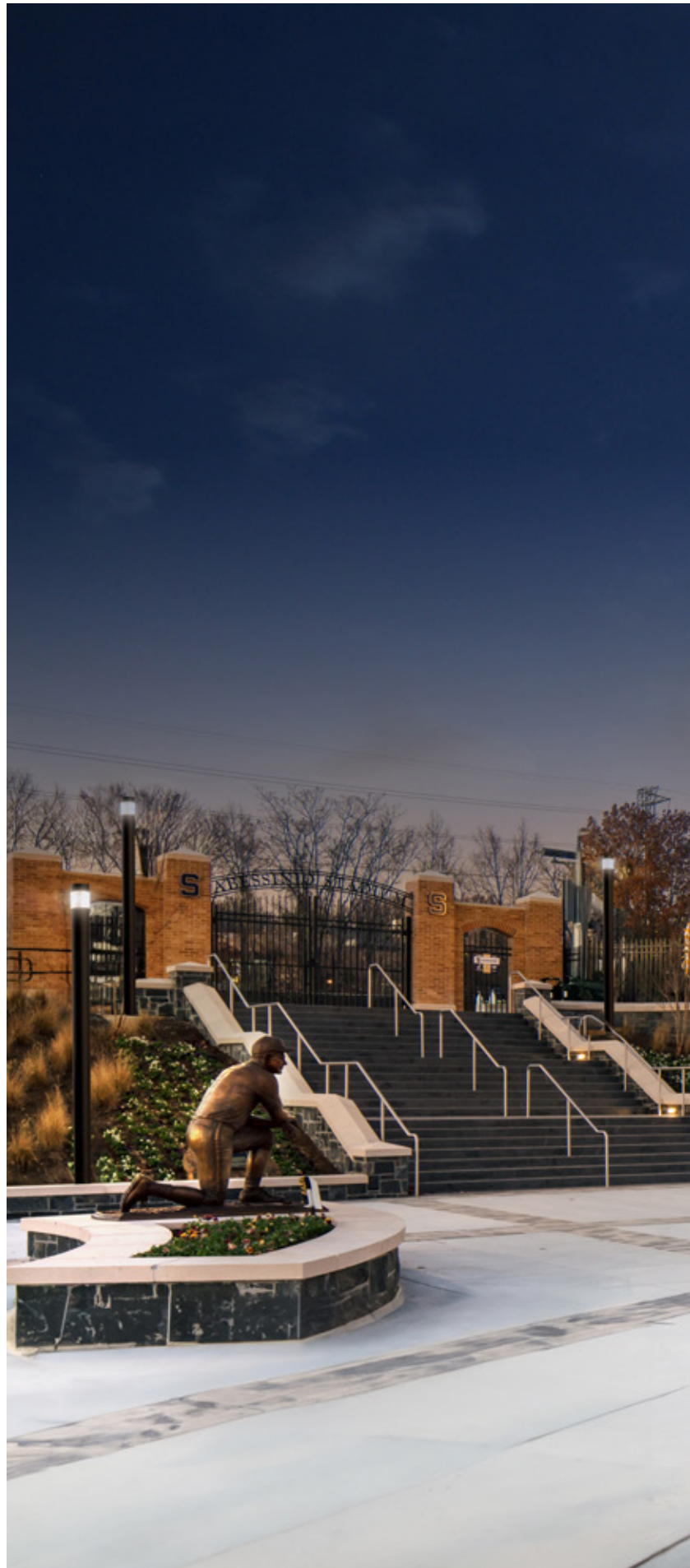
## 5-year warranty

All products are covered by a 5-year warranty, provided that they are used and maintained according to instructions. Focus on quality, safety and product lifetime/longevity are the essential objectives of PERFORMANCE IN LIGHTING. For additional information, email [info.usa@pil.lighting](mailto:info.usa@pil.lighting)

# KHA CITY

## Lighting for pathways of all shapes and sizes

KHA CITY are contemporary high-performance bollards and light poles, combining style with a robust design manufactured in high-quality materials and finishing. KHA CITY products provide functional and dramatic effect lighting with aesthetics suitable for entrances, paths, walkways, courtyards, gardens, public areas, and security lighting. Consult factory for more options such as individual heights and house side shield options. Also available are COMFORT and MARINE options.





# KHA CITY

Design coordinated slim area and site lighting column (KHA SLIM 7'2" / 8') and bollard (KHA - KHA TECH) series. Fixtures consist of:

## Construction

- Multi-step powder-coat painting process, optimized against UV rays and corrosion.
- Corrosion-resistant AISI 316 stainless steel post and top cap.
- Copper-free precision die-cast aluminum housing, top cap and copper-free aluminum extruded post (Iron Gray and Textured Black versions).
- High-efficiency COB, combined with an optimized passive cooling system, provides a long LED lifespan.
- Internal reflector coated with 5-layers of PVD 99.98% pure aluminum providing >95% reflection.
- Clear UV-stabilized, high-impact resistant diffuser.
- Custom MCPCB utilized to maximize heat dissipation and promote a long LED lifespan. Satin UV-stabilized diffuser.
- Custom molded, anti-aging gasket(s).
- Stainless steel external hardware.

## Installation

- Available in two standard heights: 47" and 8'. Custom heights available upon request.
- Anchor bolts available for bollards (ordered separately).
- Suitable for most coastal applications (stainless steel versions).
- Steel ground base plate included for bollards.

## Optics

- Type III light distribution.
- Type V light distribution.

## Electrical

- Input voltage: 120-277V (50 / 60 Hz), integral 0-10V dimming driver.
- 347/480V input options available.

## Options

- The luminaire may be configured with numerous options and multiple standard finishes. Not all options are available in all configurations. Consult factory for more information about specification sheet details to build your light.
- Bolt-on root galvanized steel direct burial support or stainless steel flange plate (anchor plugs not included) floor mounting options available for all KHA CITY 24 options (ordered separately)
- Concrete installation fixing rods available (ordered separately).

## Listings

- UL Wet location listed. IP66 rated.
- Product meets Buy American Act (BAA) requirements within ARRA.
- Consult factory for which version qualifies for the PRONTO-SHIP program. Orders must be marked "PRONTO."
- Photometric data measured according to UNI EN 13032-1/4 and IES LM-79-08
- Actual performance may differ as a result of the end-user environment and application. All values are design or typical values, measured under laboratory conditions at 25 °C. Specifications are subject to change without notice.

## Warranty

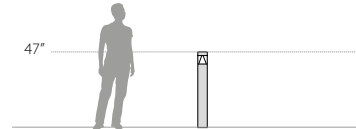
- 5-year limited warranty. Complete warranty terms located at [www.performanceinlighting.com](http://www.performanceinlighting.com)

KHA CITY 24



KHA CITY 12





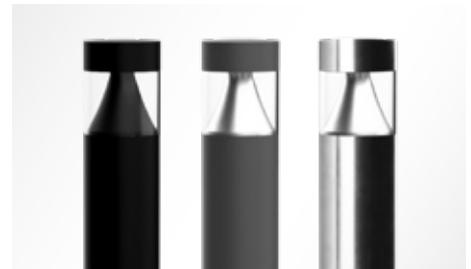
Corrosion-resistant AISI 316 stainless steel post and top cap. Suitable for most coastal applications (stainless steel versions).



Internal reflector coated with 5-layers of PVD 99.98% pure aluminum providing >95% reflection.



High-efficiency MCPCB, combined with an optimized passive cooling system, provides a long LED lifespan.



Different finishes available: Black, Iron gray, Stainless steel.



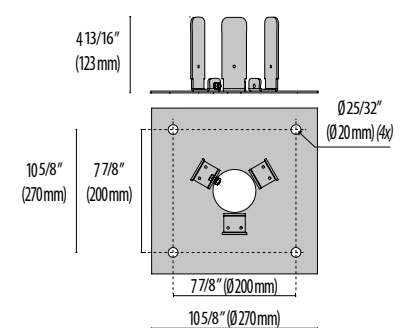
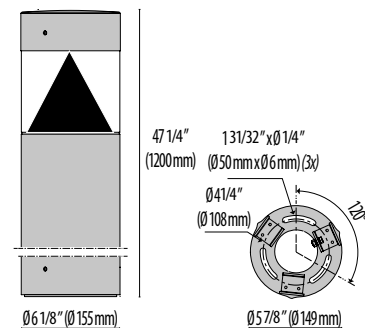
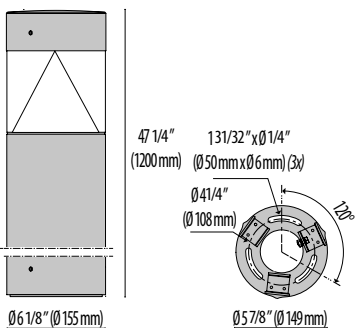
Standard base (included).



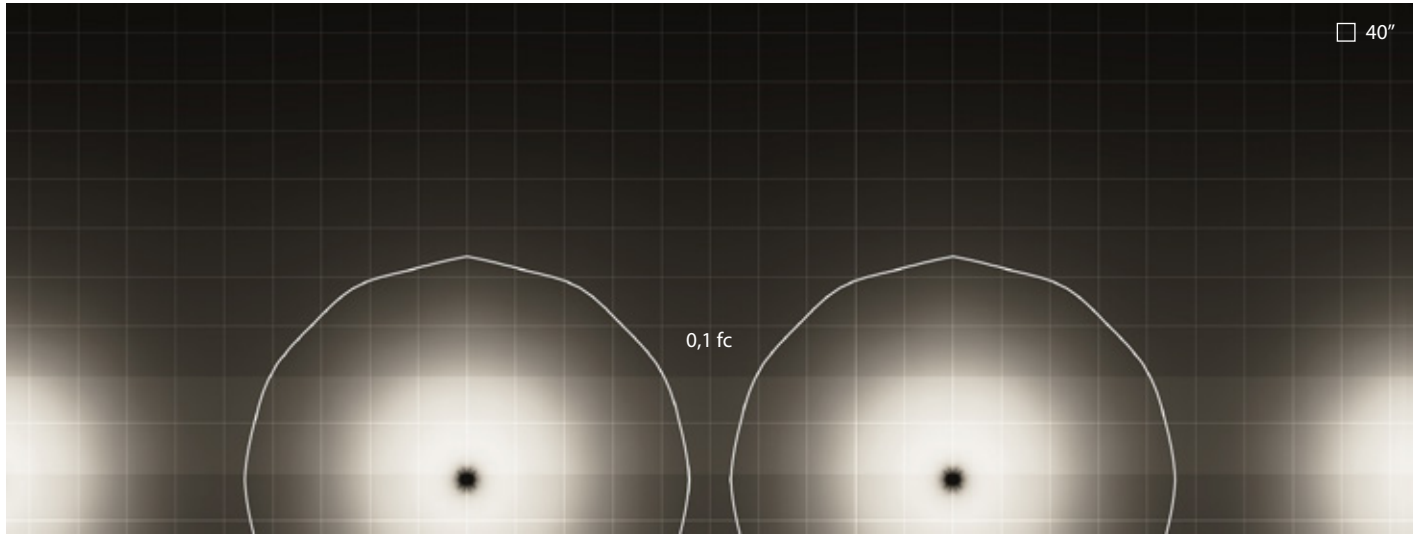
Anchor bolts available (to be ordered separately). Concrete mounting adaptor with stainless steel plate and galvanized steel rods



BASE stainless steel FR KHA USA (optional)

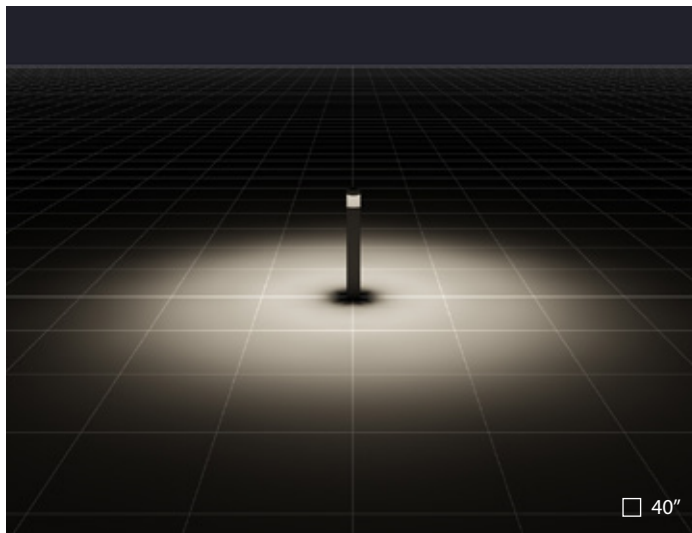




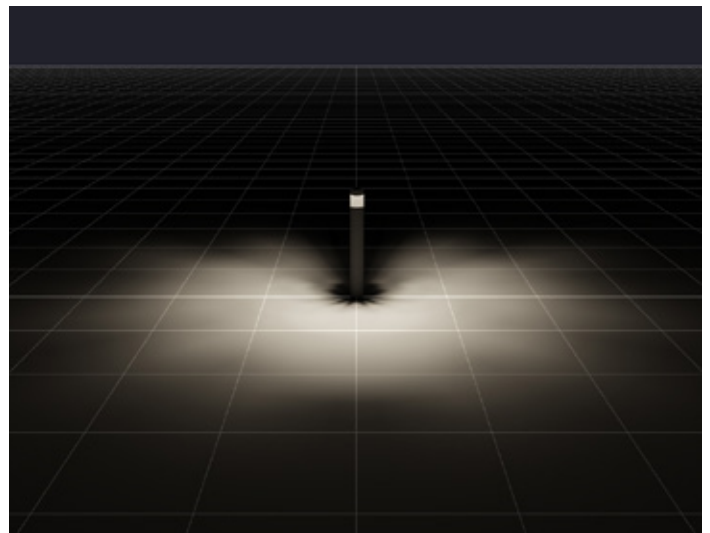


KHA CITY 12 | Extra Wide Circle Reflector | TYPE V | linear

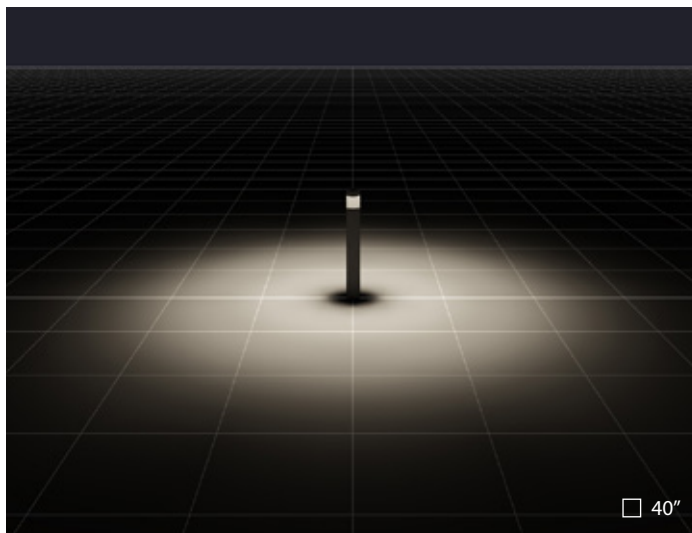
Luminaire spacing = 32' 10" (10m)  
 Path depth = 6' 7" (2m)  
 Mounting height = 0" (0m)



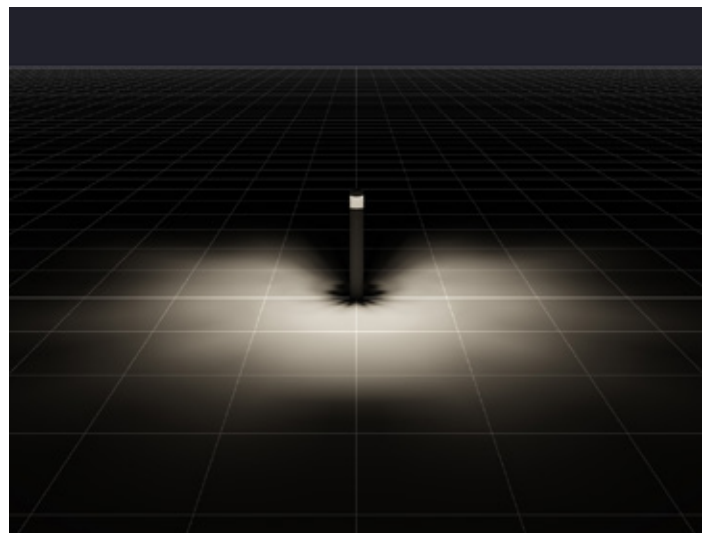
KHA CITY 12 | Extra Wide Circle Reflector | TYPE V



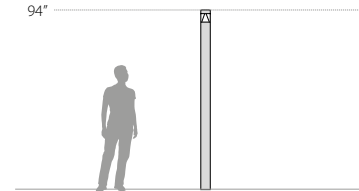
KHA CITY 12 | Asymmetric Medium Reflector | TYPE III



KHA CITY COMFORT 12 | Extra Wide Circle Reflector | TYPE V



KHA CITY COMFORT 12 | Asymmetric Medium Reflector | TYPE III



Corrosion-resistant AISI 316 stainless steel post and top cap. Suitable for most coastal applications (stainless steel versions).



Internal reflector coated with 5-layers of PVD 99.98% pure aluminum providing >95% reflection.



High-efficiency MCPCB, combined with an optimized passive cooling system, provides a long LED lifespan.



Different finishes available: Black, Iron gray, Stainless steel.



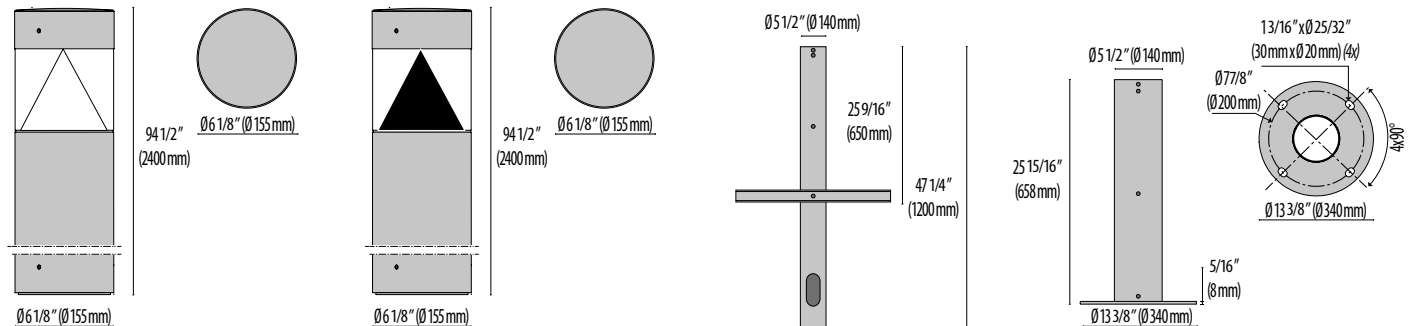
Anchor bolts available (to be ordered separately).

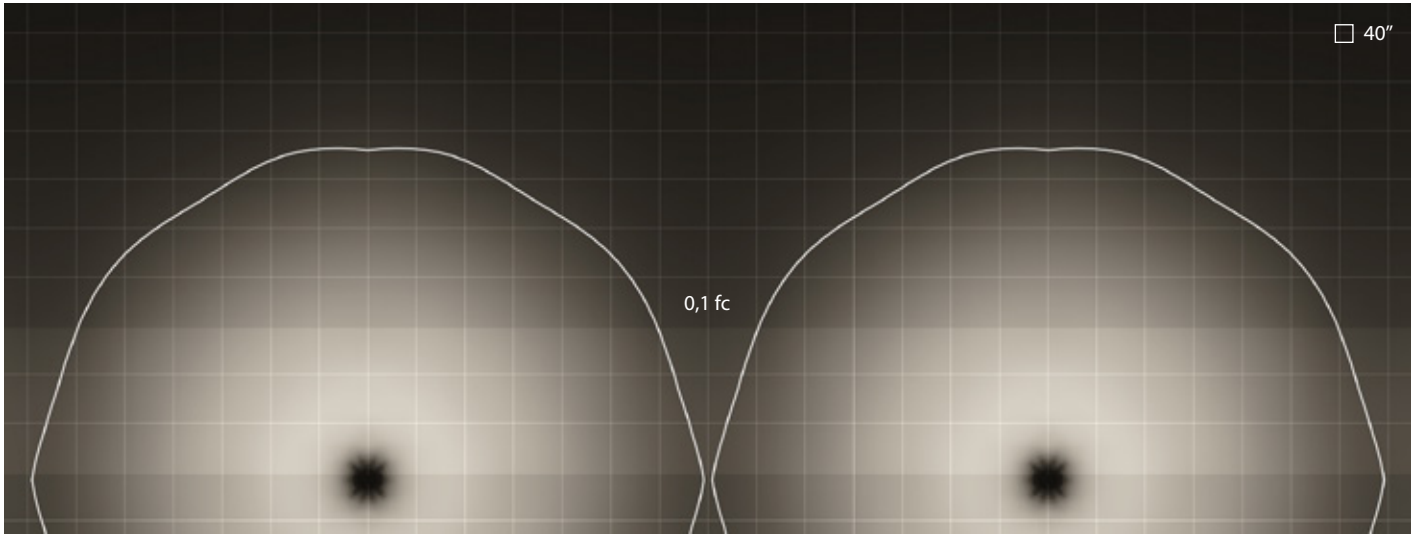


BASE KHA CITY 24 USA



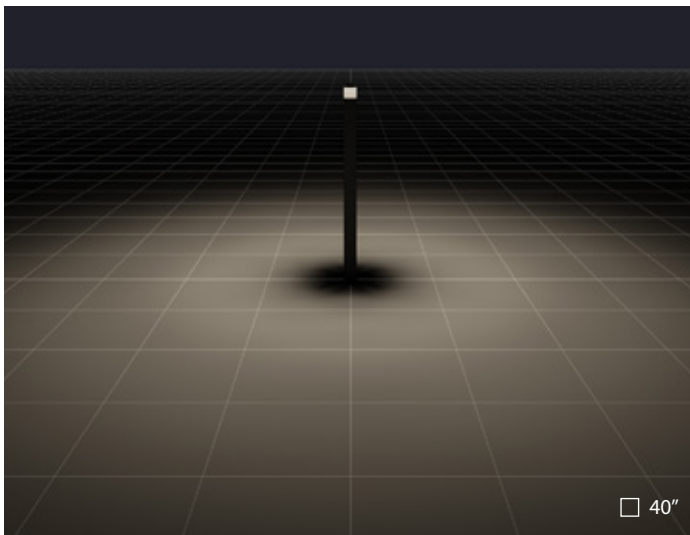
BASE direct-burial accessory KHA CITY 24 USA



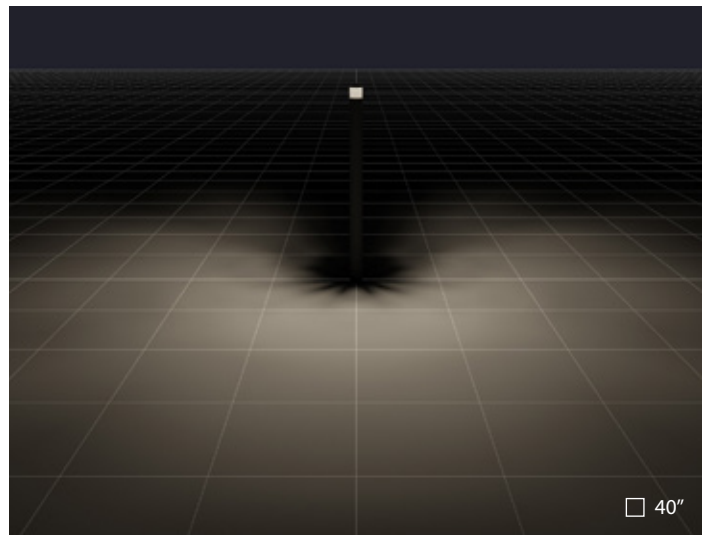


KHA CITY 24 | Extra Wide Circle Reflector | TYPE V | linear

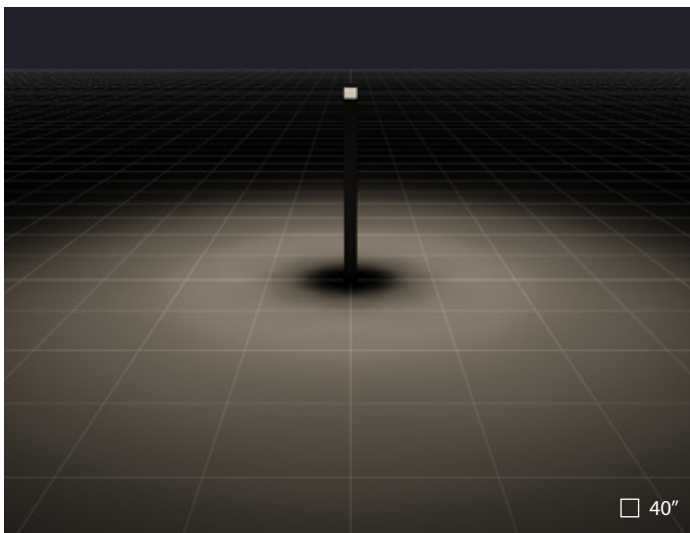
Luminaire spacing = 45' 11" (14m)  
 Path depth = 9' 10" (3m)  
 Mounting height = 0" (0m)



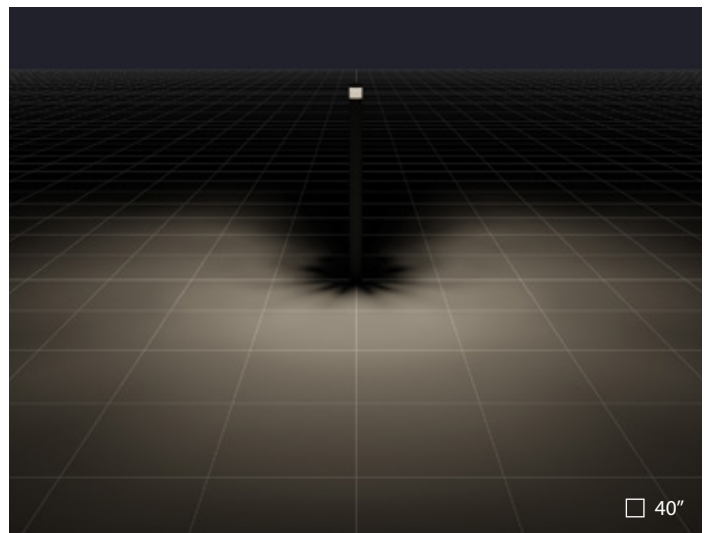
KHA CITY 24 | Extra Wide Circle Reflector | TYPE V



KHA CITY 24 | Asymmetric Medium Reflector | TYPE III



KHA CITY COMFORT 24 | Extra Wide Circle Reflector | TYPE V



KHA CITY COMFORT 24 | Asymmetric Medium Reflector | TYPE III

PERFORMANCE  
**IN** LIGHTING

powered by  
**GEWISS**

**PERFORMANCE IN LIGHTING**  
2621 Keys Pointe  
Conyers, GA 30013 - United States  
Ph 770.822.2115  
Fax 770.822.9925

[www.performanceinlighting.com](http://www.performanceinlighting.com)