

INSERT+2 V



Recessed wall steplight series. Fixtures consist of:

- Multi-step powder-coat painting process, optimized against UV rays and corrosion.
- Copper-free (<1%) precision die-cast aluminum housing and ring/faceplate.
- Frosted, tempered, silk-screened, flat glass diffuser.
- Custom molded, anti-aging gasket(s).
- Custom MCPCB utilized to maximize heat dissipation and promote long LED life.
- Input voltage: 120-277 V (50 / 60 Hz), integral driver.
- Pre-wired factory sealed cable for external electrical connection included.
- The luminaire may be configured with numerous options and multiple standard finishes.
- Not all options are available in all configurations. Consult factory for more information about specification sheet details to build your light.
- Stainless steel recessed rough-in kit to be ordered separately.
- Product meets Buy American Act (BAA) requirements within ARRA.
- 5-year warranty.
- Marine Grade finish.
- Suitable for Natatorium applications.

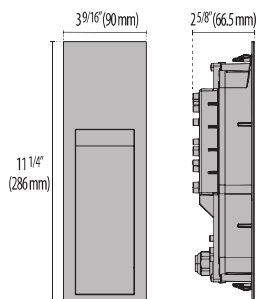


FINISHES

- AN-96 / Iron gray / Textured
- GR-94 / Aluminum metallic / Textured
- WH-87 / White / Textured
- BK-81 / Black / Textured
- RB-10 / Iron rust / Textured



Scan here for
installation instructions



LUMEN OUTPUT					
	27K	30K	35K	40K	50K
9W	572	592	613	633	671

Order Guide – INSERT+2 V



Order code example: I+2V-9W-30K-WH-120V

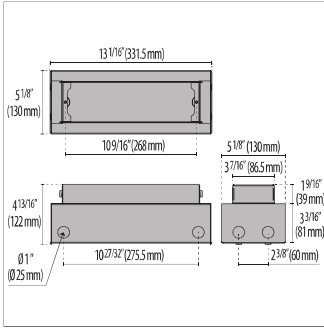
I+2V						
SERIES	Wattage	CCT	Finish	Voltage	Controls	Accessories
I+2V Insert+2 V	9 9W* (max)	27K 2700K 30K* 3000K 35K 3500K 40K* 4000K 50K 5000K	AM Aluminum Metallic* IG Iron Gray* IR Iron Rust BK Textured Black WH Textured White* CC Custom Color	UNV 120-277V* 120V 120V only	0-10V 0-10V Dimming* ELV ELV Dimming	PLT Adaptor plate; specify dimensions
					Contact Factory for Remote driver options	Contact Factory about adaptor plate custom options

STANDARD OPTION, SHORTER LEAD TIME, NO MOQ

ROUGH IN INCLUDED WITH FIXTURE - CAN BE SHIPPED AHEAD
80 CRI STANDARD - OTHER OPTIONS AVAILABLE

REQUIRED FOR INSTALLATION Included with Fixture

DESCRIPTION	FINISH	PART NUMBER
INSERT+ 2 V Rough-In kit INSERT+ 2 V		3121497



3121497