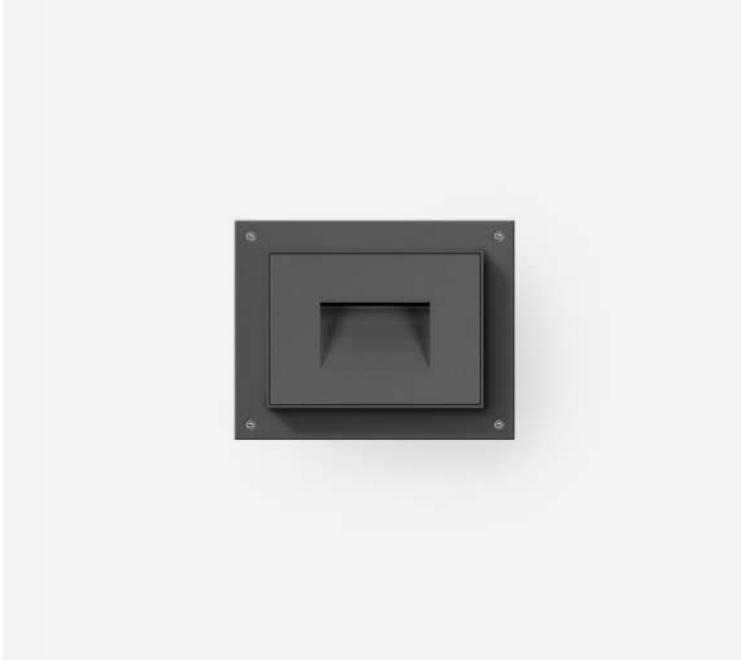


INSERT+ ZERO SM



Wall mount series. Fixtures consist of:

- Multi-step powder-coat painting process, optimized against UV rays and corrosion.
- Copper-free (<1%) precision die-cast aluminum housing and ring/faceplate.
- Frosted, tempered, silk-screened, flat glass diffuser.
- Custom molded, anti-aging gasket(s).
- Custom MCPCB utilized to maximize heat dissipation and promote long LED life.
- To be used with a 24 V low-voltage driver (ordered separately, consult factory for more information).

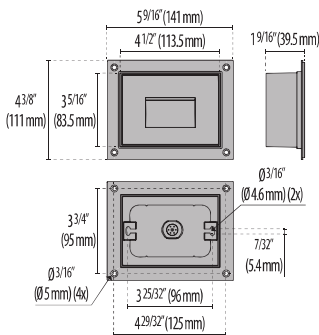
- The luminaire may be configured with numerous options and multiple standard finishes. Not all options are available in all configurations. Consult factory for more information about specification sheet details to build your light.
- 5-year warranty.
- Consult factory for any Buy American Act (BAA) or Build America Buy America Act (BABAA) requirements.



FINISHES

- AN-96 / Iron gray / Textured
- GR-94 / Aluminum metallic / Textured
- WH-87 / White / Textured
- BK-81 / Black / Textured
- RB-10 / Iron rust / Textured

| Lumen Output | 3K | 4K |
|----------------|-----|-----|
| INSERT+ZERO SM | 254 | 257 |



Scan here for
installation instructions

Order Guide – INSERT+0 SM



Order code example:

| I+OSM | | | | | | |
|----------------------|-------------------|------------------------------|--|-----------------------------------|----------|---|
| SERIES | Wattage | CCT | Finish | Voltage | Controls | Accessories |
| I+OSM Insert+0 SM | 5 5W* (max) | 30K 3000K 40K 4000K | AM Aluminum Metallic* IG Iron Gray* IR Iron Rust BK Textured Black WH Textured White* CC Custom Color | 24V 24V Low-voltage only | | RDR Remote LED Driver (One Per Fixture) 17097 RDRDIM Remote 0-10V LED Driver (1-15 Fixtures) 17029 BABAA Build America Buy America Act compliant (not available for all options) |

STANDARD OPTION, SHORTER LEAD TIME, NO MOQ

80 CRI STANDARD - OTHER OPTIONS AVAILABLE