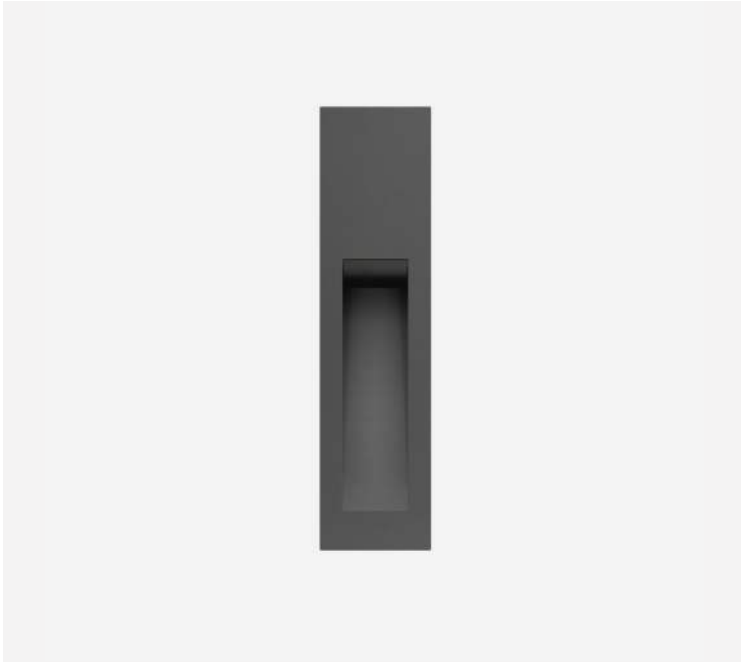


# INSERT+ 1V



Recessed wall steplight series. Fixtures consist of:

- Multi-step powder-coat painting process, optimized against UV rays and corrosion.
- Copper-free (<1%) precision die-cast aluminum housing and ring/faceplate.
- Frosted, tempered, silk-screened, flat glass diffuser.
- Custom molded, anti-aging gasket(s).
- Custom MCPCB utilized to maximize heat dissipation and promote long LED life.
- To be used with a 24V low-voltage driver (ordered separately, consult factory for more information).
- Pre-wired factory sealed cable for external electrical connection included.

- The luminaire may be configured with numerous options and multiple standard finishes. Not all options are available in all configurations. Consult factory for more information about specification sheet details to build your light.
- Stainless steel recessed rough-in kit to be ordered separately.
- 5-year warranty.
- Consult factory for any Buy American Act (BAA) or Build America Buy America Act (BABAA) requirements.

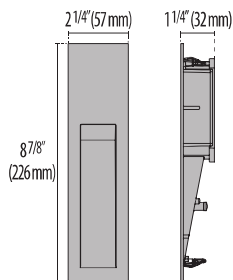


## FINISHES

- AN-96 / Iron gray / Textured
- GR-94 / Aluminum metallic / Textured
- WH-87 / White / Textured
- BK-81 / Black / Textured
- RB-10 / Iron rust / Textured



Scan here for  
installation instructions



Lumen Output	3K	4K
INSERT+ 1V	319	333

# Order Guide – INSERT+1 V



Order code example: I+1V-5W-30K-WH

I+1V						
SERIES	Wattage	CCT	Finish	Voltage	Controls	Accessories
I+1V Insert+1 V	5 5W* (max)	30K* 3000K 40K* 4000K RGBW RGBW	AM Aluminum Metallic*  IG Iron Gray*  IR Iron Rust  BK Textured Black  WH Textured White*  CC Custom Color	24V 24V Low-voltage only		PLT Adaptor plate; specify dimensions  RDR Remote LED Driver (One Per Fixture) 17097  RDRDIM Remote 0-10V LED Driver (1-15 Fixtures) 17029  BABAA Build America Buy America Act compliant (not available for all options)  RP For use with certain railing products, no rough-in or post included or required

Contact  
Factory about  
adaptor plate  
custom  
options

\*STANDARD OPTION, SHORTER LEAD TIME, NO MOQ\*

ROUGH IN INCLUDED WITH FIXTURE (unless noted) - CAN BE SHIPPED AHEAD  
80 CRI STANDARD - OTHER OPTIONS AVAILABLE

PERFORMANCE IN LIGHTING reserves the right to make all necessary changes without prior notice

**PERFORMANCE IN LIGHTING USA, Inc.**  
2621 Keys Pointe Conyers GA 30013 - United States  
Tel: 770 822 2115

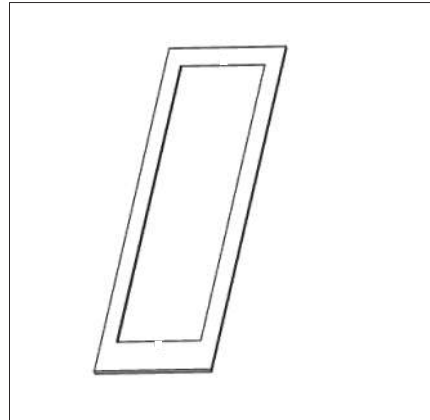
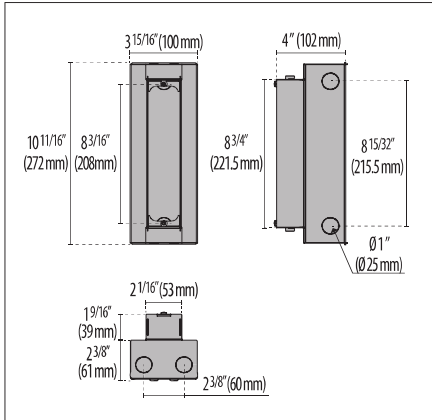
[info.usa@pil.lighting](mailto:info.usa@pil.lighting)  
[www.performanceinlighting.com/us](http://www.performanceinlighting.com/us)

**REVISION 07**  
**06/25**

INCLUDED WITH FIXTURE

REQUIRED FOR INSTALLATION

DESCRIPTION	FINISH	PART NUMBER
<b>INSERT+ 1V</b>		
Rough-In kit INSERT+1 V		<b>3121794</b>
Adaptor Plate		<b>PLT</b>



**Power Supply**



**17433**  
Kit driver 48V



**17096**  
Kit driver 48V WP

**RF Controls**



**3104173**  
RGBW RF controller 4 channel  
(0.35A each CH)



**31041730**  
RGBW RF controller WP 4 channel  
(0.35A each CH)



**310429**  
RGBW hand held remote

**DMX Controls**



**178973**  
RGBW DMX enabler/decoder 4  
channel (0.35A each CH)



**1789730**  
RGBW DMX enabler/decoder WP 4  
channel (0.35A each CH)