

# INSERT+ 1V SM



Wall mount series. Fixtures consist of:

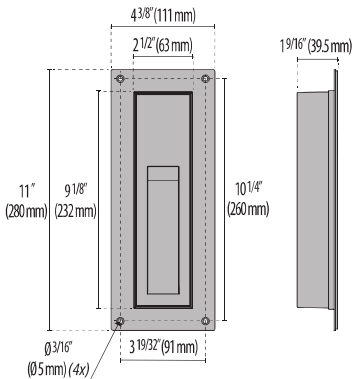
- Multi-step powder-coat painting process, optimized against UV rays and corrosion.
- Copper-free (<1%) precision die-cast aluminum housing and ring/faceplate.
- Frosted, tempered, silk-screened, flat glass diffuser.
- Custom molded, anti-aging gasket(s).
- Custom MCPCB utilized to maximize heat dissipation and promote long LED life.
- To be used with a 24 V low-voltage driver (ordered separately, consult factory for more information).
- Pre-wired factory sealed cable for external electrical connection included.

- The luminaire may be configured with numerous options and multiple standard finishes. Not all options are available in all configurations. Consult factory for more information about specification sheet details to build your light.
- Stainless steel recessed rough-in kit to be ordered separately.
- 5-year warranty.
- Consult factory for any Buy American Act (BAA) or Build America Buy America Act (BABAA) requirements.



## FINISHES

- AN-96 / Iron gray / Textured
- GR-94 / Aluminum metallic / Textured
- WH-87 / White / Textured
- BK-81 / Black / Textured
- RB-10 / Iron rust / Textured



Lumen Output	3K	4K
INSERT+ 1 SM	319	333



Scan here for  
installation instructions

# Order Guide – INSERT+1 SM



Order code example: I+1V SM-5W-30K-WH

I+1V SM						
SERIES	Wattage	CCT	Finish	Voltage	Controls	Accessories
I+1V SM Insert+1V SM	5 5W* (max)	30K 3000K*  40K 4000K*  RGBW RGBW	AM Aluminum Metallic*  IG Iron Gray*  IR Iron Rust  BK Textured Black  WH Textured White*  CC Custom Color	24V  24V Low-voltage only		RDR Remote LED Driver (One Per Fixture) 17097  RDRDIM Remote 0-10V LED Driver (1-15 Fixtures) 17029  HP Hidden Mounting Plate  BABAA Build America Buy America Act compliant (not available for all options)

Contact  
Factory for  
Remote driver  
options



**Hidden  
mounting plate  
option**

\*STANDARD OPTION, SHORTER LEAD TIME, NO MOQ\*  
80 CRI STANDARD - OTHER OPTIONS AVAILABLE

PERFORMANCE IN LIGHTING reserves the right to make all necessary changes without prior notice

**PERFORMANCE IN LIGHTING USA, Inc.**  
2621 Keys Pointe Conyers GA 30013 - United States  
Tel: 770 822 2115

info.usa@pil.lighting  
www.performanceinlighting.com/us

**REVISION 06**  
**06/25**

**Power Supply**



**17433**  
Kit driver 48V



**17096**  
Kit driver 48V WP

**RF Controls**



**3104173**  
RGBW RF controller 4 channel  
(0.35A each CH)



**31041730**  
RGBW RF controller WP 4 channel  
(0.35A each CH)



**310429**  
RGBW hand held remote

**DMX Controls**



**178973**  
RGBW DMX enabler/decoder 4  
channel (0.35A each CH)



**1789730**  
RGBW DMX enabler/decoder WP 4  
channel (0.35A each CH)