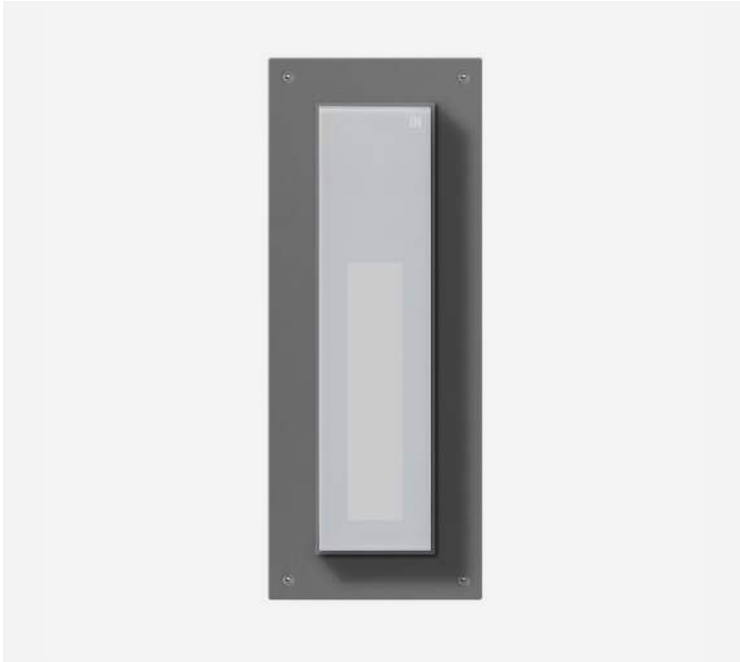


INSERT+ 1V SM GLASS



Wall mount series. Fixtures consist of:

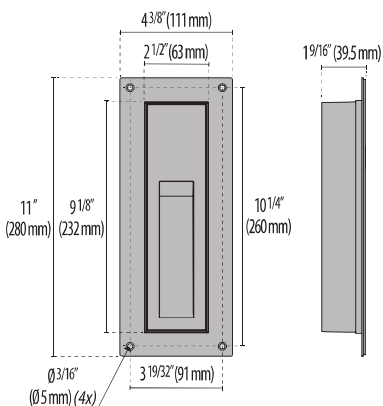
- Multi-step powder-coat painting process, optimized against UV rays and corrosion.
- Copper-free (<1%) precision die-cast aluminum housing and ring/faceplate.
- Frosted, tempered, silk-screened, flat glass diffuser.
- Custom molded, anti-aging gasket(s).
- Custom MCPCB utilized to maximize heat dissipation and promote long LED life.
- To be used with a 24 V low-voltage driver (ordered separately, consult factory for more information).
- Pre-wired factory sealed cable for external electrical connection included.

- The luminaire may be configured with numerous options and multiple standard finishes. Not all options are available in all configurations. Consult factory for more information about specification sheet details to build your light.
- Stainless steel recessed rough-in kit to be ordered separately.
- 5-year warranty.
- Consult factory for any Buy American Act (BAA) or Build America Buy America Act (BABAA) requirements.



FINISHES

- AN-96 / Iron gray / Textured
- GR-94 / Aluminum metallic / Textured
- WH-87 / White / Textured
- BK-81 / Black / Textured
- RB-10 / Iron rust / Textured



Lumen Output	3K	4K
INSERT+ 1V SM GLASS	160	167



Scan here for
installation instructions

Order Guide – INSERT+1V SM GLASS



Order code example: I+1VSMG-5W-30K-WH

I+1VSMG						
SERIES	Wattage	CCT	Finish	Voltage	Controls	Accessories
I+1VSMG Insert+1V SM GLASS	5 5W* (max)	30K 3000K* 40K 4000K* RGBW RGBW	AM Aluminum Metallic* IG Iron Gray* IR Iron Rust BK Textured Black WH Textured White* CC Custom Color	24V 24V Low-voltage only		RDR Remote LED Driver (One Per Fixture) 17097 RDRDIM Remote 0-10V LED Driver (1-15 Fixtures) 17029 HP Hidden Mounting Plate BABAA Build America Buy America Act compliant (not available for all options)

Contact
Factory for
Remote driver
options



**Hidden
mounting plate
option**

STANDARD OPTION, SHORTER LEAD TIME, NO MOQ

80 CRI STANDARD - OTHER OPTIONS AVAILABLE

PERFORMANCE IN LIGHTING reserves the right to make all necessary changes without prior notice

PERFORMANCE IN LIGHTING USA, Inc.
2621 Keys Pointe Conyers GA 30013 - United States
Tel: 770 822 2115

info.usa@pil.lighting
www.performanceinlighting.com/us

REVISION 07
06/25

Power Supply



17433
Kit driver 48V



17096
Kit driver 48V WP

RF Controls



3104173
RGBW RF controller 4 channel
(0.35A each CH)



31041730
RGBW RF controller WP 4 channel
(0.35A each CH)



310429
RGBW hand held remote

DMX Controls



178973
RGBW DMX enabler/decoder 4
channel (0.35A each CH)



1789730
RGBW DMX enabler/decoder WP 4
channel (0.35A each CH)