

KHA SLIM ANGLE



Slim area and site lighting series. Fixtures consist of:

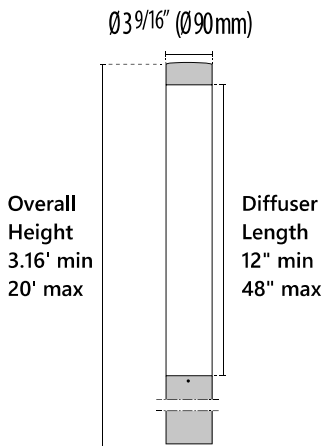
- Multi-step powder-coat painting process, optimized against UV rays and corrosion.
- Copper-free aluminum extruded post.
- Copper-free precision die-cast aluminum housing and top cap.
- Corrosion-resistant AISI 316 stainless steel post and top cap.
- Satin UV-stabilized diffuser.
- Custom molded, anti-aging gasket(s).
- Stainless steel external hardware.
- Custom MCPCB utilized to maximize heat dissipation and promote long LED life.
- Diffuse light emission.
- IESNA Type V light distribution.
- Input voltage: 120-277V (50 / 60 Hz), integral driver.

- Anchor bolts available for bollards (ordered separately).
- Suitable for most coastal applications (stainless steel versions).
- Five optional finishes available. Add finish suffix to any part number for textured Black (BK-81), Iron gray (AN-96), Aluminum metallic (GR-94), White (WH-87), Iron rust (RB-10) when not standard.
- Consult factory for dimming options, marine-grade, custom finishes (please specify RAL color), and non-cataloged CCT (Kelvin) options including static colors.
- 5-year warranty.
- Marine Grade finish.
- Suitable for Natatorium applications.
- Consult factory for any Buy American Act (BAA) or Build America Buy America Act (BABAA) requirements.



FINISHES

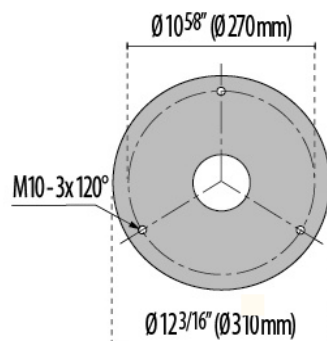
- AN-96 / Iron gray / Textured
- BK-81 / Black / Textured
- INOX / Stainless steel / Matt
- GR-94 / Aluminum metallic / Textured
- WH-87 / White / Textured
- RB-10 / Iron rust / Textured



KHA SLIM ANGLE

Lumen Output	Wattage	4K /80CRI
12" Diffuser	25W max	2595lm
24" Diffuser	50W max	5190lm
48" Diffuser	75W max	7800lm

Contact factory for other CCT's and reduced lumen options



Base Details



Scan Here for
Installation Instructions



Order Guide - Kha Slim Angle

Order code example **KHA-ANGLE-XX-24-50-SS-3K-120-NA-DB**

KHA-ANGLE

--	--	--	--	--	--	--	--

Overall Column Height	Diffuser Size	Wattage	Finish	Kelvin	Voltage	Controls	Accessories
60 60 inch 12" diffuser min 72 72 inch 24" diffuser min 96 96 inch 48" diffuser min XX Specify Height Must be within range	12 12" diffuser 25W Max	25 25 watt	SS Stainless Steel 96" Max OAH	27K 2700k	UNV 120-277V	NA Non Dimming	DB Direct Burial must specify DB depth BABAA Build America Buy America Act compliant (not available for all options)
	24 24" diffuser 50W Max	40 40 watt	AM Aluminum Metallic	3K 3000k		0-10V 0-10V Dimming Driver	
	48 48" diffuser 85W Max	50 50 watt	IG Iron Gray	35K 3500k		ELV 120V Line- Voltage Dimming Driver	
	48 inch is the max diffuser length	75 75 watt	IR Iron Rust	4K 4000k			
		85 85 watt (30°c/86°f ambient) max	BK Textured Black	5K 5000k			
XX Specify Wattage Must be below max		WH Textured White	65K 6500k				
			CC Custom Color	RED Static Red			
				BLU Static Blue			
				GRN Static Green			
				AMB Static Amber			
				RGBW RGBW* Only available with 24" diffuser See below for control details			

80 CRI STANDARD - OTHER OPTIONS AVAILABLE

Revision 07
06/25

Power Supply



17433
Kit driver 48V



17096
Kit driver 48V WP

RF Controls



3104173
RGBW RF controller 4 channel
(0.35A each CH)



31041730
RGBW RF controller WP 4 channel
(0.35A each CH)



310429
RGBW hand held remote

DMX Controls



178973
RGBW DMX enabler/decoder 4
channel (0.35A each CH)



1789730
RGBW DMX enabler/decoder WP 4
channel (0.35A each CH)



11015
Terminating Resistor



110150
Terminating Resistor WP