



INDEX+ | BOLLARDS

PRODUCT CODE

PROJECT

TYPE

PERFORMANCE
in LIGHTING

powered by
GEWISS



Company

Performance in Lighting USA, located in Conyers, GA, is part of an international group of companies headquartered in Verona, Italy.

The group was formed from a number of well-established technical lighting companies from various countries. Performance in Lighting has a wide sales and distribution network operating in over 100 countries worldwide. Production facilities are located in Verona Italy, Bergamo Italy, Goslar Germany, Brussels Belgium, Conyers GA USA. Sales/distribution subsidiaries are located in England, Holland, France, Finland, Spain, Portugal, Australia, Dubai and Japan.

Recognized for its unique professional approach and technical know-how, Performance in Lighting has combined its international experience and technical expertise to become a worldwide leader in its industry. The group offers various lighting solutions worldwide for many applications including interior, exterior, residential, commercial, and sports lighting providing options to satisfy both architectural and engineering requirements.

Performance in Lighting USA concentrates on specification grade luminaires designed to provide a vast array of lighting solutions. Our concentration is outdoor products for illuminating commercial spaces from structural facades to parking areas. We strive to meet the demands of today's lighting community offering made in USA products, European designed with clean, contemporary aesthetics along with aggressive price points and fast lead times.

Pronto Program

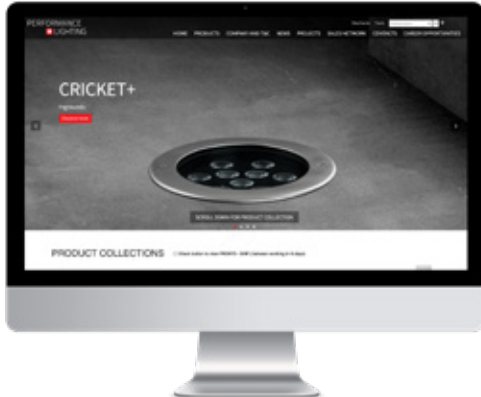
PERFORMANCE IN LIGHTING offers a wide range of quick ship fixtures through the Pronto Program and a host of options to fit within the unique budget of your next project.





Overview

Click the QR-code for latest information.



Website

Please visit our web site www.performanceinlighting.com/us/us/ for the latest updated versions available.



5-year warranty

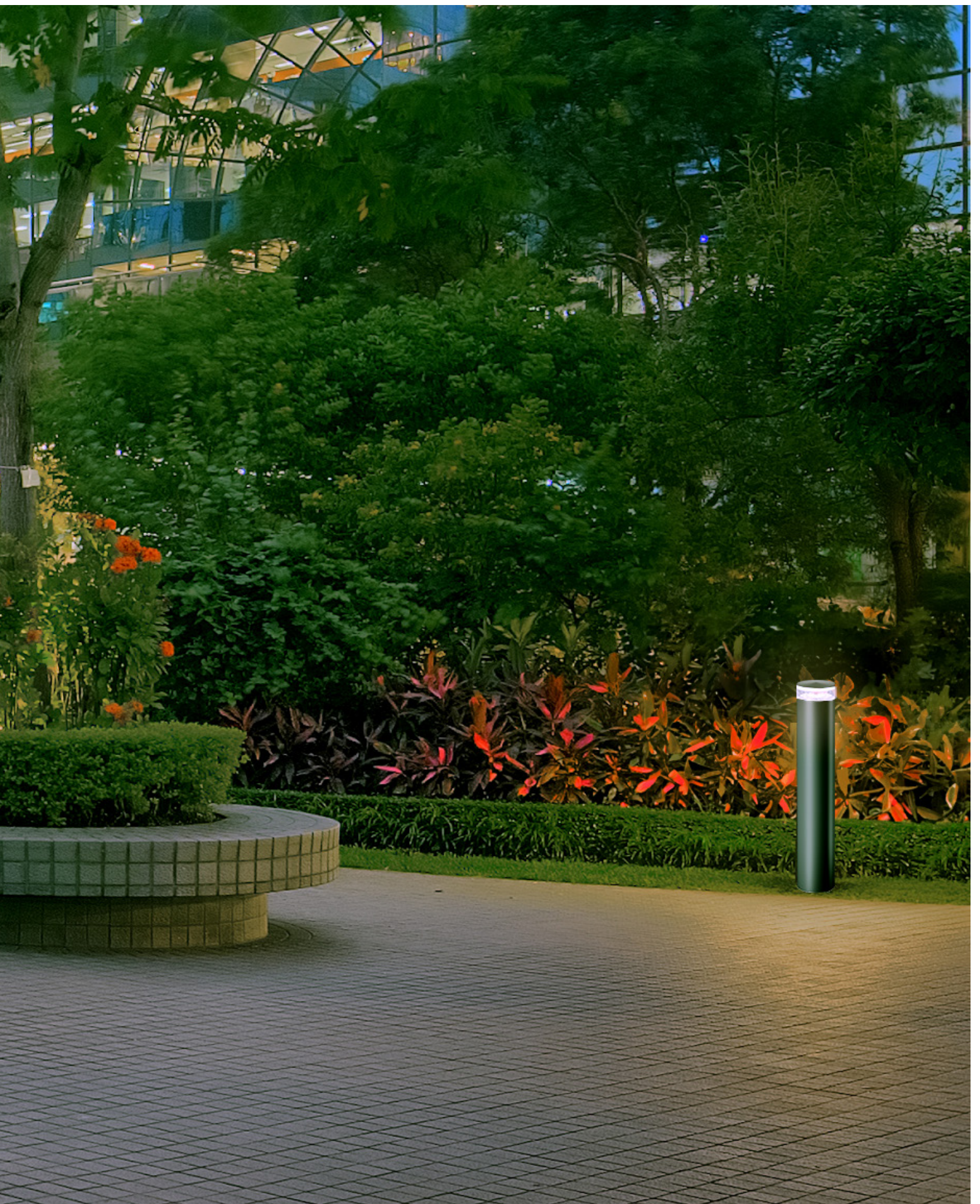
All products are covered by a 5-year warranty, provided that they are used and maintained according to instructions. Focus on quality, safety and product lifetime/longevity are the essential objectives of PERFORMANCE IN LIGHTING. For additional information, email info.usa@pil.lighting

INDEX+

Thoughtful lighting for pathways of all shapes and sizes

INDEX+ are contemporary high-performance bollards, combining style with a robust design manufactured in high-quality materials and finishes. INDEX+ products provide functional and dramatic-effect lighting with aesthetics suitable for entrances, paths, walkways, courtyards, gardens, public areas, and security lighting. Consult the factory for more options, such as individual heights.





INDEX+

Pathway bollard series. Fixtures consist of:

Construction

- Multi-step powder-coat painting process, optimized against UV rays and corrosion.
- Copper-free (<1%) precision die-cast aluminum housing and top cap.
- Copper-free (<1%) aluminum extruded post.
- Custom molded, anti-aging gasket(s).
- Custom MCPCB utilized to maximize heat dissipation and promote long LED life.
- High-transparency polycarbonate optics for optimized light transmission.
- Clear UV-stabilized, high-impact resistant diffuser.

Installation

- Anchor bolts available for bollards (ordered separately).

Optics

- Type V light distribution.

Electrical

- Input voltage: 120-277 V (50 / 60 Hz), integral 0-10 V dimming driver.

Options

- The luminaire may be configured with numerous options and multiple standard finishes. Not all options are available in all configurations. Consult factory for more information about specification sheet details to build your light.

Listings

- UL Wet location listed. IP65 rated.
- Product meets Buy American Act (BAA) requirements within ARRA.
- Patent optical system IN SIDEIS®
- Photometric data measured according to UNI EN 13032-1/4 and IES LM-79-08
- Actual performance may differ as a result of the end-user environment and application. All values are design or typical values, measured under laboratory conditions at 25 °C. Specifications are subject to change without notice.

Warranty

- 5-year limited warranty. Complete warranty terms located at www.performanceinlighting.com

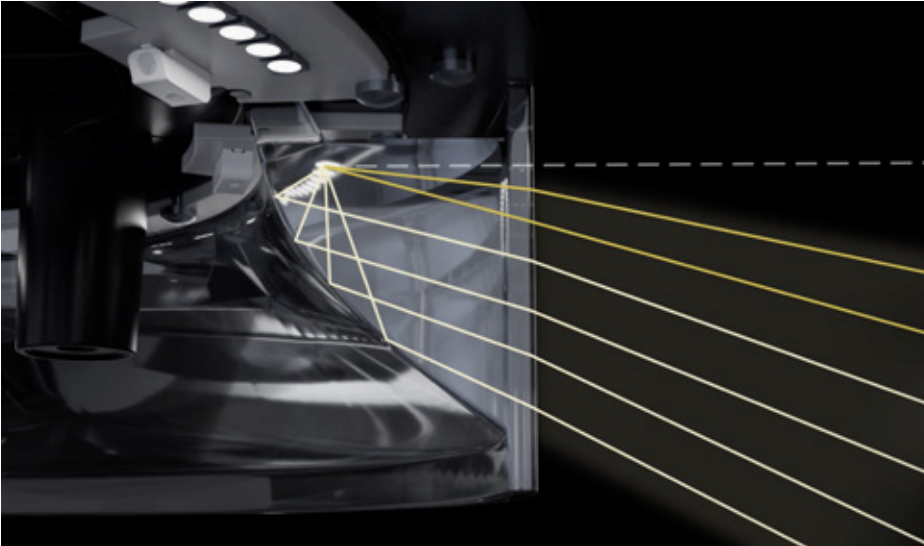


INDEX+ 46



INDEX+ 86





Patent optical system IN SIDEIS®. Clear UV-stabilized, high-impact resistant diffuser. High-transparency polycarbonate optics for optimized light transmission. Custom MCPCB utilized to maximize heat dissipation and promote long LED life.



Full cut-off.



Copper-free (<1%) precision die-cast aluminum housing and top cap.



Multi-step powder-coat painting process, optimized against UV rays and corrosion. Copper-free (<1%) aluminum extruded post.



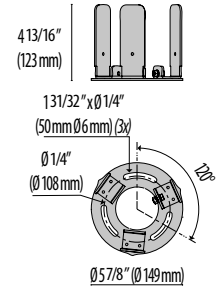
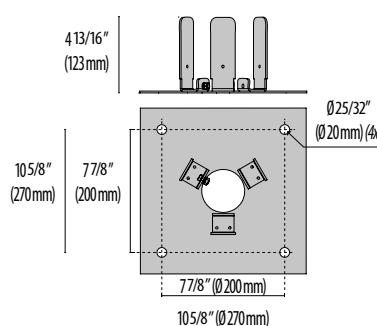
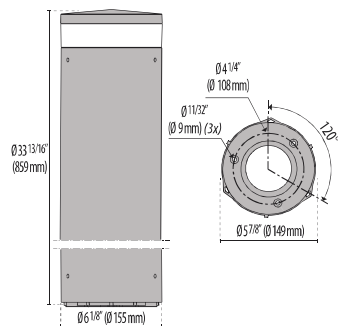
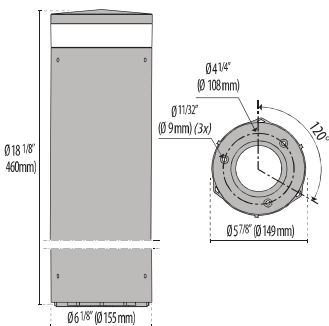
BASE stainless steel Heavy-use / HU Square 5" tall (optional).

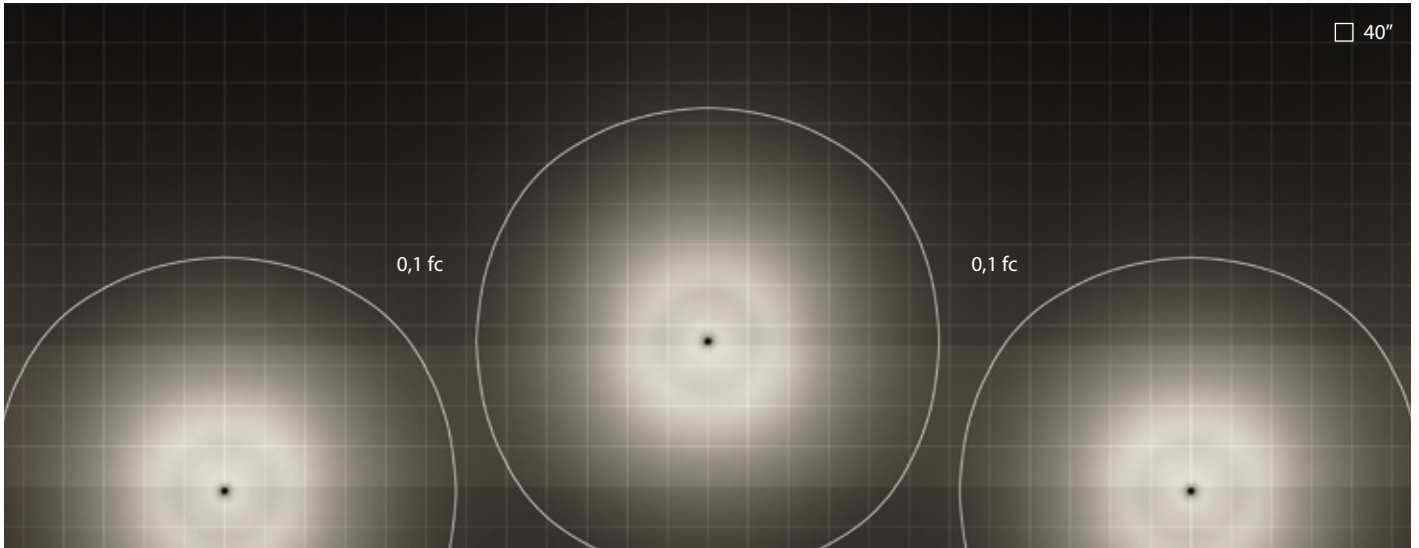


BASE stainless steel Heavy-use / HU Round 5" tall (optional).



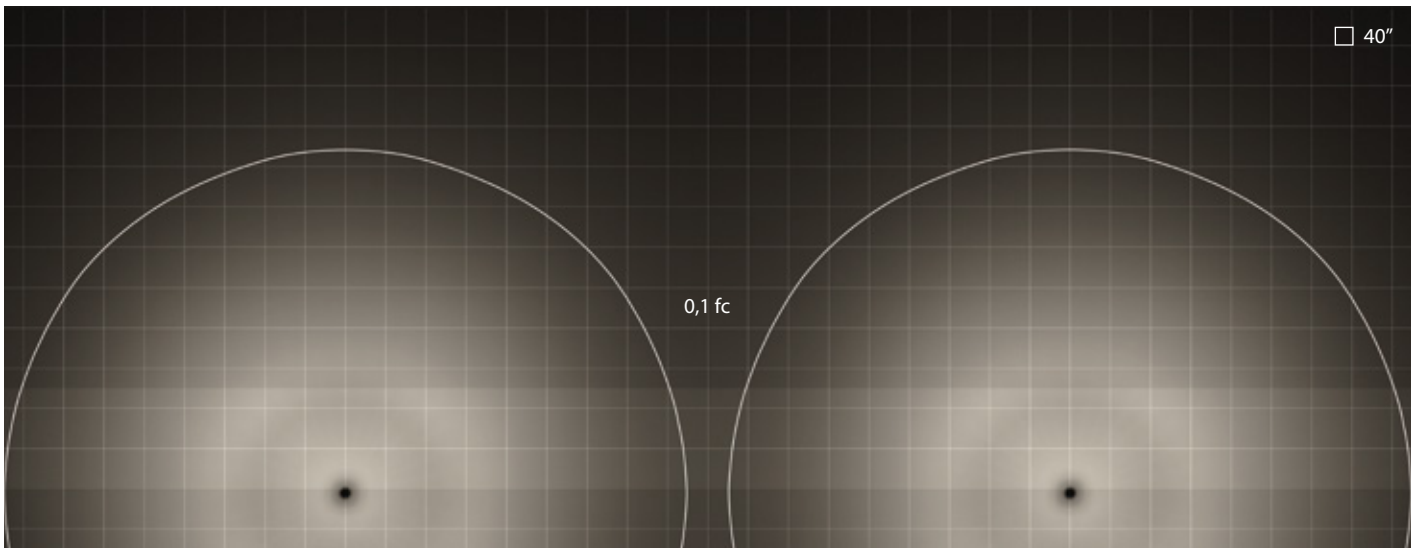
Anchor bolts available (to be ordered separately). Concrete mounting adaptor with stainless steel plate and galvanised steel rods.





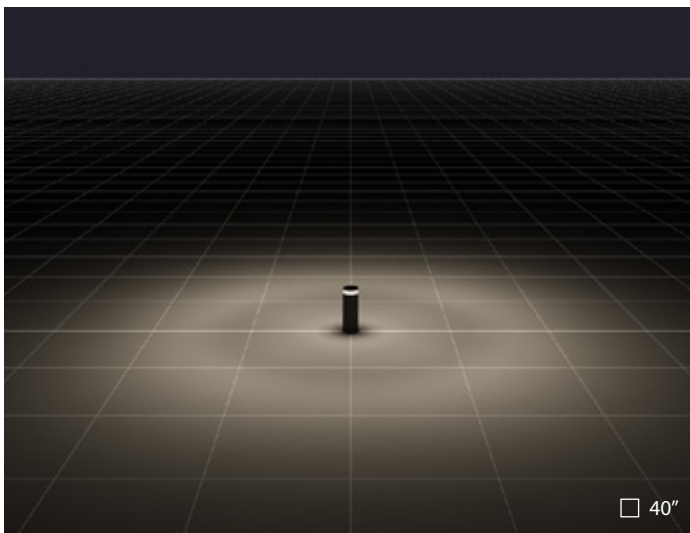
INDEX+ 46 | Circular Extra-Wide optic | TYPE V | quinconce

Luminaire spacing = 39' 4" (12m)
 Path depth = 11' 5" (3.5m)
 Mounting height = 0" (0m)

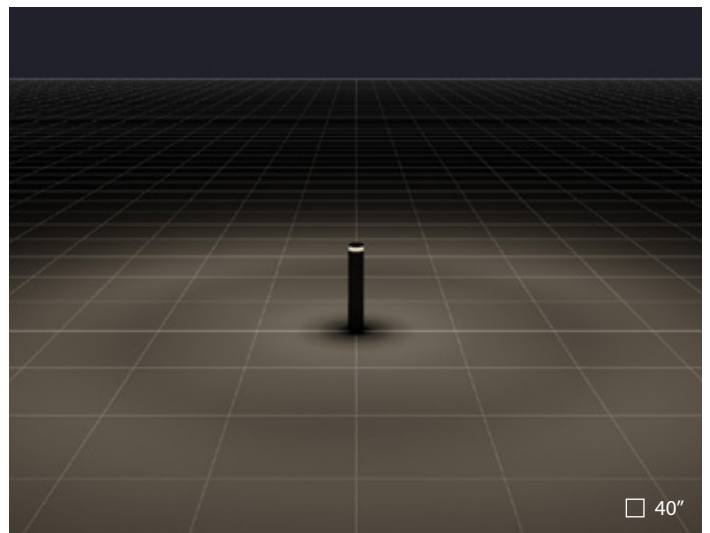


INDEX+ 86 | Circular Extra-Wide optic | TYPE V | linear

Luminaire spacing = 59' (18m)
 Path depth = 8' 2" (2.5m)
 Mounting height = 0" (0m)



INDEX+ 46 | Circular Extra-Wide optic | TYPE V



INDEX+ 86 | Circular Extra-Wide optic | TYPE V





Marlegno headquarters | Bergamo | Italy

PERFORMANCE IN LIGHTING
2621 Keys Pointe
Conyers, GA 30013 - United States
Ph 770.822.2115

www.performanceinlighting.com

PERFORMANCE | powered by
 