

# AMON MACRO



Lighting column series. Fixtures consist of:

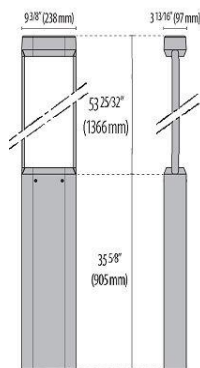
- Multi-step powder-coat painting process, optimized against UV rays and corrosion.
- Robust copper-free extruded aluminum column profile and copper-free precision die-cast aluminum housing, ring/faceplate, top cap, and inspection access door.
- Extra-clear, flat, tempered silk-screened soda-lime glass diffuser.
- Satin UV-stabilized, high-impact resistant diffuser (SOFT versions).
- Custom molded, anti-aging gasket(s).
- Stainless steel external hardware.
- Custom MCPCB utilized to maximize heat dissipation and promote a long LED life.
- High-transmittance transparent optics.
- High-efficiency COB, combined with an optimized passive cooling system, provides a long LED life.
- Internal specular reflector coated with 5-layers of PVD 99.98% pure aluminum providing >95% reflection.
- IESNA Type II light distribution.
- IESNA Type I light distribution.

- IESNA Type V light distribution.
- Diffuse light emission (SOFT).
- Input voltage: 120-277 V (50 / 60 Hz), integral 0-10 V dimming driver.
- Integral surge protector can withstand up to 10 kV transient line surge.
- Steel ground base plate included for bollards.
- Consult factory for dimming options, custom finishes (please specify RAL color), and non-cataloged CCT (Kelvin) options.
- Consult factory for custom post height options.
- Base heavy-duty covers, anchor bolts, and direct-burial support available for AMON MINI / MAXI (ordered separately).
- 5-year warranty.
- Product meets Buy American Act requirements within ARRA.
- Marine Grade finish.
- Suitable for Natatorium applications.
- Rated for 101 mph max wind zone.

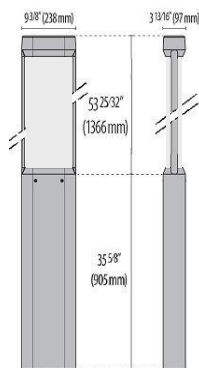


## FINISHES

- AN-96 / Iron gray / Textured
- BK-81 / Black / Textured
- GR-94 / Aluminum metallic / Textured
- WH-87 / White / Textured
- RB-10 / Iron rust / Textured



AMON  
MACRO



AMON  
MACRO  
SOFT



Scan here  
for installation  
instructions

| Lumen Output              | 27K  | 3K   | 35K  | 4K   | 5K   |
|---------------------------|------|------|------|------|------|
| Amon Macro T1 28W         | 1343 | 1404 | 1465 | 1526 | 1587 |
| Amon Macro T2 28W         | 1333 | 1393 | 1453 | 1514 | 1574 |
| Amon Macro T5 43W         | 1781 | 1881 | 1981 | 2081 | 2181 |
| Amon Macro T5 90W (max)   | 3519 | 3574 | 3629 | 3684 | 3739 |
| Amon Macro Soft 80W (max) | 3834 | 3937 | 4040 | 4144 | 4247 |

Order code example

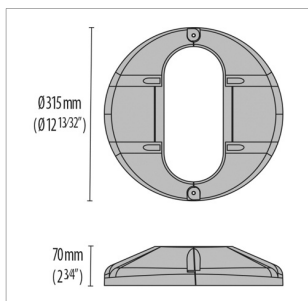
**AMAC-47-OPEN5-90-AM-3K-120-NA-BC-ANC**

AMAC-

| Column Height  | Optics                        | Wattage                                    | Finish  | Kelvin  | Voltage                | Controls   | Accessories   |  |  |  |
|--|-------------------------------|--|---|---|------------------------|--|---|--|--|--|
| <b>90</b><br>90 Inch<br>(7.5' OAH)                           | <b>OPEN5</b><br>Type V        | <b>28</b><br>28 watt<br>(open1 & 2<br>max) | <b>AM</b><br>Aluminum<br>Metallic                       | <b>27K</b><br>2700k   | <b>UNV</b><br>120-277V | <b>NA</b><br>Non Dimming<br><br><b>0-10V</b><br>0-10V Dimming<br><br><b>ELV</b><br>ELV Dimming | <b>BC</b><br>Base Cover<br><br><b>ANC</b><br>Template w/<br>Anchor bolts<br><br><b>DB</b><br>Direct Burial Base<br><br><b>PHC1</b><br>120V Photocell<br><br><b>OCC1</b><br>on/off Occupancy<br>Sensor<br><br><b>OCC2</b><br>hi/lo Occupancy<br>Sensor |  |  |  |
| <b>155</b><br>155 Inch<br>(12.9' OAH)                        | <b>OPEN1</b><br>Type I        | <b>43</b><br>43 watt                       | <b>IG</b><br>Iron Gray                                  | <b>3K</b><br>3000k  |                        |  |   |  |  |  |
| <b>180</b><br>180 Inch<br>(15' OAH)<br>(max)                 | <b>OPEN2</b><br>Type II       |  | <b>IR</b><br>Iron Rust                                  | <b>35K</b><br>3500k   |                        |  |   |  |  |  |
| <b>XX</b><br>Specify<br>Height<br>Must be<br>within<br>range | <b>SOFT</b><br>Type V Diffuse | <b>80</b><br>80 watt<br>(soft max)         | <b>BK</b><br>Textured Black                             | <b>4K</b><br>4000k  |                        |  |   |  |  |  |
|  |                               |  | <b>WH</b><br>Textured White                             | <b>5K</b><br>5000k  |                        |  |   |  |  |  |
|  |                               |  | <b>CC</b><br>Custom Color                               | <b>RED</b><br>Static Red  |                        |  |   |  |  |  |
|  |                               |  | <b>XX</b><br>Specify<br>Wattage<br>Must be<br>below max | <b>BLU</b><br>Static Blue   |                        |  |   |  |  |  |
|  |                               |  |   | <b>GRN</b><br>Static Green  |                        |  |   |  |  |  |
|  |                               |  |   | <b>AMB</b><br>590nm Amber<br>(turtle-friendly)<br>not suitable<br>for 90W or Soft |                        |  |   |  |  |  |

80 CRI STANDARD - OTHER OPTIONS AVAILABLE

## OPTIONAL ACCESSORIES

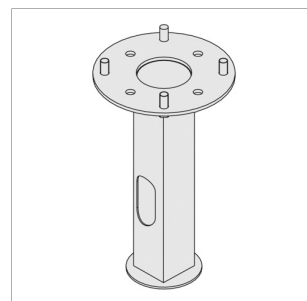


Base Cover



Anchor Bolts w/ template

Ø0.64" x 17" long  
3" hook  
Top 3.25" threaded



Direct Burial Base

Performance in Lighting reserves the right to make all necessary changes without prior notice.

Performance in Lighting - 2621 Keys Pointe - Conyers, Georgia 30013 - USA - voice 770.822.2115 - info.usa@pil.lighting  
www.performanceinlighting.com

Revision 05  
05/24