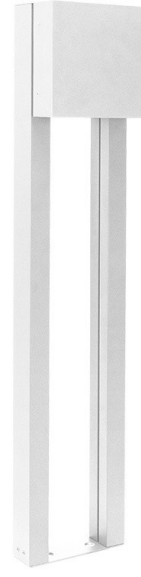


# MIMIK 20 LINE BOLLARD

PERFORMANCE  
IN LIGHTING

powered by  
**GEWISS**



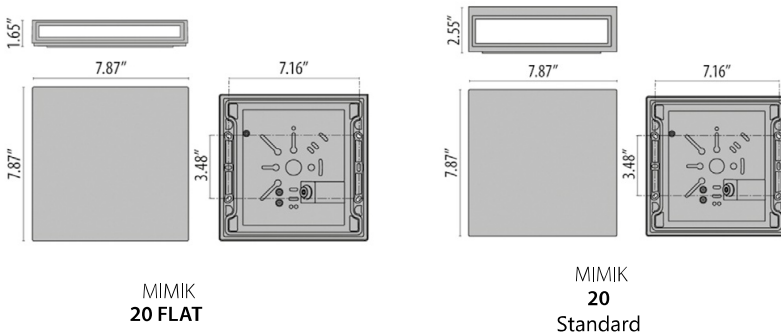
- Ceiling-, wall- and post- mount series. Fixtures consist of:
- Multi-step powder-coat painting process, optimized against UV rays and corrosion.
  - Copper-free precision die-cast aluminum housing and mounting plate.
  - Extra-clear, flat, tempered silk-screened soda-lime glass diffuser.
  - Micro-prismatic patterned, flat, tempered silk-screened soda-lime glass diffuser (FLAT versions).
  - Custom molded, anti-aging gasket(s).
  - Stainless steel external hardware.
  - Custom MCPCB utilized to maximize heat dissipation and promote a long LED life.
  - High-transmittance transparent optics.
  - Single (M) or dual (B) light emission.
  - IESNA Type II light distribution (FLAT).
  - IESNA Type II light distribution.
  - IESNA Type III light distribution.
  - IESNA Type IV light distribution.

- Input voltage: 120-277 V (50 / 60 Hz), integral 0-10 V dimming driver.
- Optional, integral, emergency battery-pack designed for a minimum operation of 90 minutes (EMPK versions).
- Customizing facade faceplate available for MIMIK FLAT versions (ordered separately).
- Post accessory available for MIMIK 20 (ordered separately).
- Consult factory for dimming options, custom finishes (please specify RAL color), and non-cataloged CCT (Kelvin) options.
- Optional clear plexiglass panel can be customized with logos for signage or wayfinding (LINE BOLLARD). Consult factory for more information.
- Product meets Buy American Act requirements within ARRA.
- 5-year warranty.
- Marine Grade finish.
- Suitable for Natatorium applications.



## FINISHES

- AN-96 / Iron gray / Textured
- GR-94 / Aluminum metallic / Textured
- WH-87 / White / Textured
- BK-81 / Black / Textured
- RB-10 / Iron rust / Textured



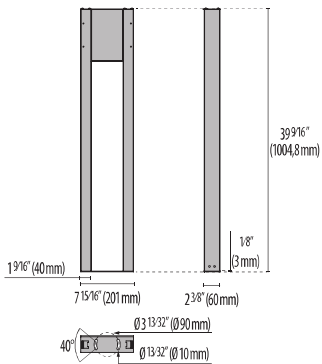
LUMEN OUTPUT		2700K	3000K	3500K	4000K	5000K
MIMIK 20 M T2	15W	1373	1385	1396	1408	1420
MIMIK 20 M T2	26W	2238	2256	2274	2292	2310
MIMIK 20 M T2 EMPK	15W	1373	1385	1396	1408	1420
MIMIK 20 M T3	15W	1385	1396	1407	1418	1429
MIMIK 20 M T3	26W	2255	2273	2291	2309	2327
MIMIK 20 M T3 EMPK	15W	1385	1396	1407	1418	1429
MIMIK 20 M T4	15W	1308	1319	1329	1340	1351
MIMIK 20 M T4	26W	2132	2149	2166	2183	2200
MIMIK 20 M T4 EMPK	15W	1308	1319	1329	1340	1351
MIMIK 20 FLAT M	14W	919	960	1001	1042	1083
MIMIK 20 FLAT B	25W	1847	1930	2012	2095	2178

WATTAGE	
MIMIK 20 M T2	15W
MIMIK 20 M T2	26W
MIMIK 20 M T3	15W
MIMIK 20 M T3	26W
MIMIK 20 M T4	15W
MIMIK 20 M T4	26W
MIMIK 20 FLAT M	14W
MIMIK 20 FLAT B	25W

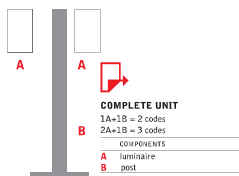


Scan here  
for installation  
instructions

Revision 04  
05/24



Bollard suitable for one or two fixtures



## Order Guide - Mimik 20 Line Bollard

70 CRI STANDARD HOUSING  
 80 CRI FLAT HOUSING  
 OTHER OPTIONS AVAILABLE

Order code example

**M20LB-M-15W-T4-AM-27K-120V-NA-FC**

M20LB

Housing Style	Bollard Height	Wattage	Optics	Finish	CRI	Kelvin/ Static Colors	Voltage	Controls	Accessories
<b>M20 Standard</b>  <b>M20F Flat</b>  <small>*Flat Housing is only suitable for T2 Distribution</small>	40 40" Bollard (Max)	15 15 watt (with em max)	Standard Housing only	AM Aluminum Metallic	70 70 CRI (Standard)	27K 2700k	UNV 120-277V	NA Non Dimming	<b>EMPK</b> Integral 15W Emergency Battery Back up (not available with flat housing)  <b>CWEMPK</b> Remote Cold Weather Emergency Battery Back up -20°C through 55°C  <b>FC</b> Facade cover  <b>FRST</b> Frosted glass  <b>PHC-B</b> Photocell Button  <b>OCC</b> Occupancy Sensor  <b>REM</b> Remote battery back up
	12 12" Bollard (Min)	26 26 watt max	T2 Type II	IG Iron Gray	80 80 CRI (Flat Standard)	3K 3000k		0-10V 0-10V Dimming	
	XX" Specify Line Bollard Height 40" Max 12" Min	14 14 watt (Flat only)	T3 Type III	IR Iron Rust	90* 90 CRI	35K 3500k		ELV ELV Dimming	
		25 25 watt (Flat only) max	T4 Type IV	BK Textured Black	*Contact Factory For Availability	4K 4000k			
	XX Specify Wattage Must be below max		WH Textured White	5K* 5000K Consult factory for MOQ		RED Satic Red (Flat Only)			
				CC Custom Color		GRN Static Green (Flat Only)			
						BLU Static Blue (Flat Only)			
						AMB Static Amber (Flat Only)			

Performance in Lighting - 2621 Keys Pointe - Conyers, Georgia 30013 - USA - voice 770.822.2115 - info.usa@pil.lighting  
[www.performanceinlighting.com](http://www.performanceinlighting.com)

**NOTE:**

MIMIK 20 IS AVAILABLE WITH ONE WAY EMISSIONS/ MONO-DIRECTIONAL  
 THE MIMIK 20 FLAT IS REQUIRED FOR TWO WAY EMISSIONS/BI-DIRECTIONAL

Revision 04  
 05/24