

# MIMIK 20 BOLLARD

PERFORMANCE  
IN LIGHTING

powered by  
**GEWISS**



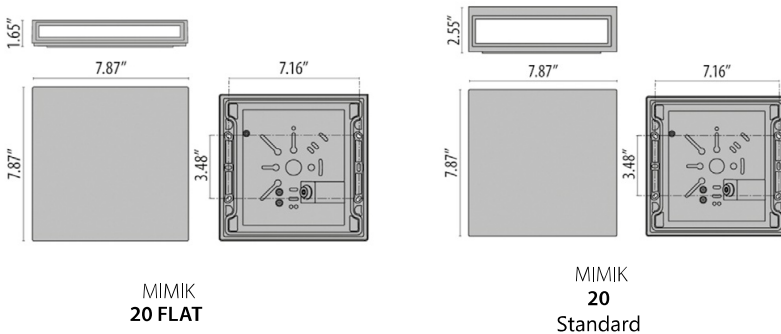
- Ceiling-, wall- and post- mount series. Fixtures consist of:
- Multi-step powder-coat painting process, optimized against UV rays and corrosion.
  - Copper-free precision die-cast aluminum housing and mounting plate.
  - Extra-clear, flat, tempered silk-screened soda-lime glass diffuser.
  - Micro-prismatic patterned, flat, tempered silk-screened soda-lime glass diffuser (FLAT versions).
  - Custom molded, anti-aging gasket(s).
  - Stainless steel external hardware.
  - Custom MCPCB utilized to maximize heat dissipation and promote a long LED life.
  - High-transmittance transparent optics.
  - Single (M) or dual (B) light emission.
  - IESNA Type II light distribution (FLAT).
  - IESNA Type II light distribution.
  - IESNA Type III light distribution.
  - IESNA Type IV light distribution.

- Input voltage: 120-277 V (50 / 60 Hz), integral 0-10 V dimming driver.
- Optional, integral, emergency battery-pack designed for a minimum operation of 90 minutes (EMPK versions).
- Customizing facade faceplate available for MIMIK FLAT versions (ordered separately).
- Post accessory available for MIMIK 20 (ordered separately).
- Consult factory for dimming options, custom finishes (please specify RAL color), and non-cataloged CCT (Kelvin) options.
- Optional clear plexiglass panel can be customized with logos for signage or wayfinding (LINE BOLLARD). Consult factory for more information.
- Product meets Buy American Act requirements within ARRA.
- 5-year warranty.
- Marine Grade finish.
- Suitable for Natatorium applications.



## FINISHES

- AN-96 / Iron gray / Textured
- GR-94 / Aluminum metallic / Textured
- WH-87 / White / Textured
- BK-81 / Black / Textured
- RB-10 / Iron rust / Textured



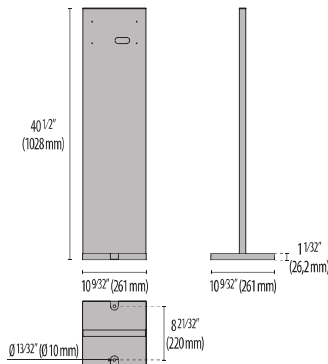
LUMEN OUTPUT		2700K	3000K	3500K	4000K	5000K
MIMIK 20 M T2	15W	1373	1385	1396	1408	1420
MIMIK 20 M T2	26W	2238	2256	2274	2292	2310
MIMIK 20 M T2 EMPK	15W	1373	1385	1396	1408	1420
MIMIK 20 M T3	15W	1385	1396	1407	1418	1429
MIMIK 20 M T3	26W	2255	2273	2291	2309	2327
MIMIK 20 M T3 EMPK	15W	1385	1396	1407	1418	1429
MIMIK 20 M T4	15W	1308	1319	1329	1340	1351
MIMIK 20 M T4	26W	2132	2149	2166	2183	2200
MIMIK 20 M T4 EMPK	15W	1308	1319	1329	1340	1351
MIMIK 20 FLAT M	14W	919	960	1001	1042	1083
MIMIK 20 FLAT B	25W	1847	1930	2012	2095	2178

WATTAGE	
MIMIK 20 M T2	15W
MIMIK 20 M T2	26W
MIMIK 20 M T3	15W
MIMIK 20 M T3	26W
MIMIK 20 M T4	15W
MIMIK 20 M T4	26W
MIMIK 20 FLAT M	14W
MIMIK 20 FLAT B	25W

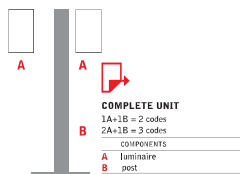
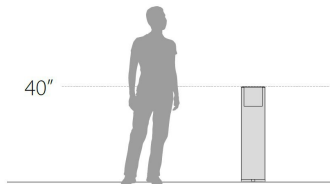


Scan here  
for installation  
instructions

Revision 11  
05/24



Bollard suitable for one or two fixtures



70 CRI STANDARD HOUSING  
 80 CRI FLAT HOUSING  
 OTHER OPTIONS AVAILABLE

## Order Guide - Mimik 20 Bollard

Order code example

**M20BOL-M-15W-T4-AM-27K-120V-NA-FC**

M20BOL

Housing Style	Bollard Height	Wattage	Optics	Finish	CRI	Kelvin/ Static Colors	Voltage	Controls	Accessories
<b>M20 Standard</b>  <b>M20F Flat</b>  <small>*Flat Housing is only suitable for T2 Distribution</small>	40 40" Bollard (Max)	15 15 watt (with em max)	Standard Housing only  Leave Blank for Flat Housing	AM Aluminum Metallic	70 70 CRI (Standard)	27K 2700k	UNV 120-277V	NA Non Dimming	<b>EMPK</b> Integral 15W Emergency Battery Back up (not available with flat housing)  <b>CWEMPK</b> Remote Cold Weather Emergency Battery Back up -20°C through 55°C  <b>FC</b> Facade cover  <b>FRST</b> Frosted glass  <b>PHC-B</b> Photocell Button  <b>OCC</b> Occupancy Sensor  <b>REM</b> Remote battery back up
	12 12" Bollard (Min)	26 26 watt max	T2 Type II	IG Iron Gray	80 80 CRI (Flat Standard)	3K 3000k		0-10V 0-10V Dimming	
	XX" Specify Bollard Height 40" Max 12"Min	14 14 watt (Flat only)	T3 Type III	IR Iron Rust	90* 90 CRI	35K 3500k		ELV ELV Dimming	
	XX Specify Wattage Must be below max	25 25 watt (Flat only) max	T4 Type IV	BK Textured Black	*Contact Factory For Availability	4K 4000k		RED Satic Red (Flat Only)	
			WH Textured White	5K* 5000K Consult factory for MOQ		GRN Static Green (Flat Only)			
			CC Custom Color			BLU Static Blue (Flat Only)			
						AMB Static Amber (Flat Only)			

Performance in Lighting - 2621 Keys Pointe - Conyers, Georgia 30013 - USA - voice 770.822.2115 - info.usa@pil.lighting  
[www.performanceinlighting.com](http://www.performanceinlighting.com)

**NOTE:**  
 MIMIK 20 IS AVAILABLE WITH ONE WAY EMISSIONS/ MONO-DIRECTIONAL  
 THE MIMIK 20 FLAT IS REQUIRED FOR TWO WAY EMISSIONS/BI-DIRECTIONAL

Revision 11  
 05/24