

# HEDO+ BOLLARD



Area and site lighting series. Fixtures consist of:

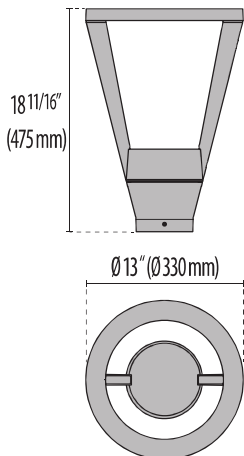
- Multi-step powder-coat painting process, optimized against UV rays and corrosion.
- Copper-free precision die-cast aluminum housing and top cap.
- Custom molded, anti-aging gasket(s).
- Micro-prismatic patterned, tempered, silk-screened, flat glass diffuser.
- Stainless steel external hardware.
- Custom MCPCB utilized to maximize heat dissipation and promote a long LED life.
- IESNA Type V light distribution.
- Input voltage: 120-277 V (50 / 60 Hz), integral 0-10 V dimming driver.
- Integral surge protector can withstand up to 10 kV transient line surge.
- Pre-wired factory sealed cable for external electrical connection included.
- Consult factory for dimming options, marine-grade,

- custom finishes (please specify RAL color), and non-cataloged CCT (Kelvin) options including static colors.
- Consult factory for custom pre-wired factory sealed cable length options.
- Consult factory for pole information.
- Consult factory for wall bracket accessory, multi-head pole top mounting, and other custom options.
- Marine Grade finish.
- Suitable for Natatorium applications.
- 5-year warranty.
- Consult factory for any Buy American Act (BAA) or Build America Buy America Act (BABAA) requirements.

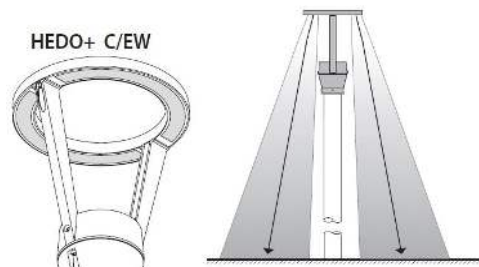


## FINISHES

- AN-96 / Iron gray / Textured
- BK-81 / Black / Textured
- GR-94 / Aluminum metallic / Textured
- WH-87 / White / Textured
- RB-10 / Iron rust / Textured



Lumen Output	3K	4K
<b>Hedo+ 7W</b>	<b>624</b>	<b>644</b>
<b>Hedo+ 23W</b>	<b>2080</b>	<b>2145</b>
<b>Hedo+ 35W</b>	<b>3171</b>	<b>3269</b>



Scan here  
for installation  
instructions

# Order Guide - Hedo



Order code example

**Hedo-35-T5-AM-3K-120-NA**

**HEDO-**

Wattage	Optics	Finish	Kelvin	Voltage	Controls	Accessories
<b>7</b> 7 watt (min)	<b>T5</b> Type 5	<b>AM</b> Aluminum Metallic	<b>3K</b> 3000K	<b>UNV</b> 120-277V	<b>NA</b> Non Dimming	<b>BOL</b> Bollard 54"  <b>BABAA</b> Build America Buy America Act compliant (not available for all options)
<b>23</b> 23 watt		<b>IG</b> Iron Gray	<b>4K</b> 4000K		<b>0-10V</b> 0-10V Dimming Driver	
<b>35</b> 35 watt (max)		<b>IR</b> Iron Rust			<b>ELV</b> 120V Line-Voltage Dimming Driver	
<b>XX</b> Specify Wattage Must be below max		<b>BK</b> Textured Black  <b>WH</b> Textured White  <b>CC</b> Custom Color			For more Options Contact Factory	

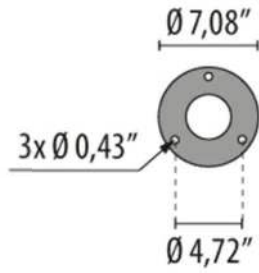
80 CRI STANDARD - OTHER OPTIONS AVAILABLE

Performance in Lighting reserves the right to make all necessary changes without prior notice.

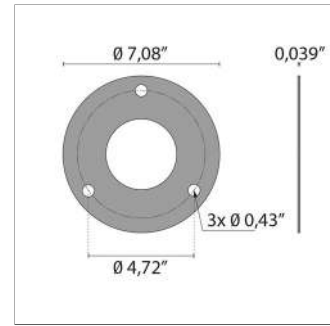
Performance in Lighting - 2621 Keys Pointe - Conyers, Georgia 30013 - USA - voice 770.822.2115 - info.usa@pil.lighting  
www.performanceinlighting.com

Revision 03  
06/25

### 54" OAH BOLLARD



### TEMPLATE/FIXING PLATE



9395