

# HEDO+ FT BOLLARD



Area and site lighting series. Fixtures consist of:

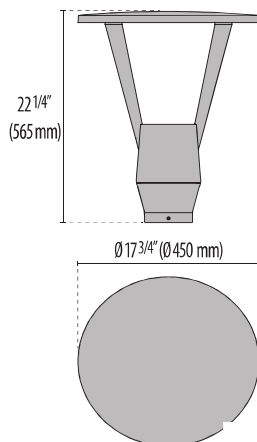
- Multi-step powder-coat painting process, optimized against UV rays and corrosion.
- Copper-free precision die-cast aluminum housing and top cap.
- Custom molded, anti-aging gasket(s).
- High-transmittance transparent optics.
- Extra-clear, tempered, silk-screened, flat glass diffuser.
- Stainless steel external hardware.
- Custom MCPCB utilized to maximize heat dissipation and promote a long LED life.
- IESNA Type II light distribution.
- IESNA Type V light distribution.
- Input voltage: 120-277 V (50 / 60 Hz), integral 0-10 V dimming driver.
- Integral surge protector can withstand up to 10 kV transient line surge.
- Pre-wired factory sealed cable for external electrical connection included.

- Consult factory for dimming options, marine-grade, custom finishes (please specify RAL color), and non-cataloged CCT (Kelvin) options including static colors.
- Consult factory for custom pre-wired factory sealed cable length options.
- Consult factory for pole information.
- Consult factory for wall bracket accessory, multi-head pole top mounting, and other custom options.
- 5-year warranty.
- Marine Grade finish.
- Suitable for Natatorium applications.
- DarkSky approved in 3000K or below.
- Consult factory for any Buy American Act (BAA) or Build America Buy America Act (BABAA) requirements.



## FINISHES

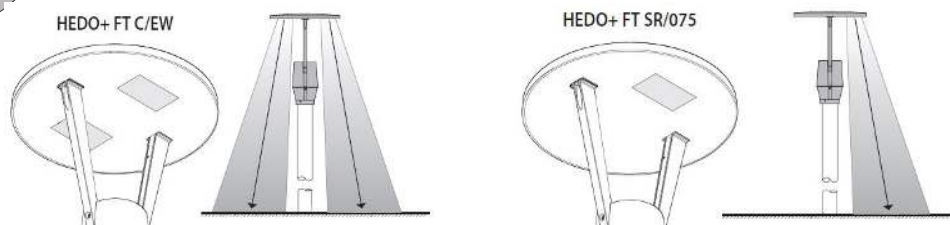
- BK-81 / Black / Textured
- AN-96 / Iron gray / Textured
- GR-94 / Aluminum metallic / Textured
- WH-87 / White / Textured
- RB-10 / Iron rust / Textured



Lumen Output	3000K	4000K
HEDO+FT T2 6W	632	677
HEDO+FT T2 19W	2109	2258
HEDO+FT T2 27W	2945	3176
HEDO+FT T2 34W	3690	3971
HEDO+FT T2 40W	4291	4653
HEDO+FT T5 8W	890	936
HEDO+FT T5 18W	2077	2185
HEDO+FT T5 25W	2879	3024
HEDO+FT T5 36W	4132	4349
HEDO+FT T5 43W	4924	5189
HEDO+FT T5 50W	5319	5605



Scan here  
for installation  
instructions



Revision 05  
06/25

# Order Guide - Hedo+ FT



Order code example

HFT- 27-T2-AM-3K-120-NA

HFT-

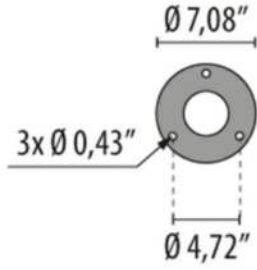
Wattage	Optics	Finish	Kelvin	Voltage	Controls	Accessories
<p>---T2---</p> <p><b>6</b> 6 watt (T2 min)</p> <p><b>19</b> 19 watt</p> <p><b>27</b> 27 watt</p> <p><b>34</b> 34 watt</p> <p><b>40</b> 40 watt (T2 max)</p> <p><b>XX</b> Specify wattage must be below max</p>	<p><b>T2</b> Type 2</p> <p><b>T5</b> Type 5</p>	<p><b>AM</b> Aluminum Metallic</p> <p><b>IG</b> Iron Gray</p> <p><b>IR</b> Iron Rust</p> <p><b>BK</b> Textured Black</p> <p><b>WH</b> Textured White</p> <p><b>CC</b> Custom Color</p>	<p><b>3K</b> 3000K</p> <p><b>4K</b> 4000K</p>	<p><b>UNV</b> 120-277V</p>	<p><b>NA</b> Non Dimming</p> <p><b>0-10V</b> 0-10V Dimming Driver</p> <p><b>ELV</b> 120V Line-Voltage Dimming Driver</p> <p>For more Options Contact Factory</p>	<p><b>BOL</b> Bollard 54"</p> <p><b>BABAA</b> Build America Buy America Act compliant (not available for all options)</p> <p><b>EMPK</b> Integral EMPK 18W Option Only</p>
<p>---T5---</p> <p><b>8</b> 8 watt (min)</p> <p><b>18</b> 18 watt</p> <p><b>25</b> 25 watt</p> <p><b>36</b> 36 watt</p> <p><b>43</b> 43 watt</p> <p><b>50</b> 50 watt (max)</p> <p><b>80</b> 80W 9000lm/4K (MOQ 15 Pieces T5 Only)</p> <p><b>XX</b> Specify wattage must be below max</p>						

80 CRI STANDARD - OTHER OPTIONS AVAILABLE

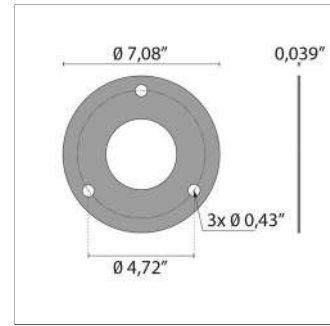
Performance in Lighting reserves the right to make all necessary changes without prior notice.

Performance in Lighting - 2621 Keys Pointe - Conyers, Georgia 30013 - USA - voice 770.822.2115 - info.usa@pil.lighting  
www.performanceinlighting.com

Revision 05  
06/25



TEMPLATE/FIXING PLATE



9395