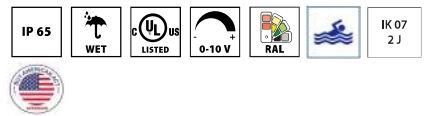




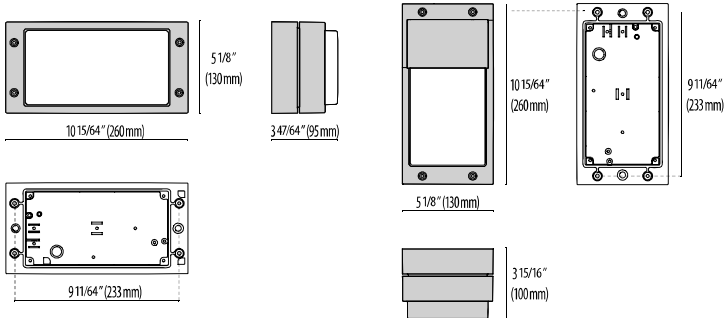
Surface-mount doorway and hallway lights and post mount series. Fixtures consist of:

- Multi-step powder-coat painting process, optimized against UV rays and corrosion.
- Copper-free die-cast aluminum housing, ring, and faceplates.
- Copper-free aluminum extruded post.
- High transmittance, internally coated, pressed glass diffuser, thermally, and chemically quenched to strengthen the impact resistance and reduce the effect of rapid temperature changes.
- Custom molded, anti-aging gasket(s).
- Stainless steel external hardware.
- Custom MCPCB utilized to maximize heat dissipation and promote long LED life.
- Tilttable LED board mounting bracket allows for quick and easy installation.
- 100% uniform diffused light emission.

- Input voltage: 120-277 V (50 / 60 Hz), integral 0-10 V dimming driver.
- Five optional finishes available. Add finish suffix to any part number for textured Black (BK-81), Iron gray (AN-96), Aluminum metallic (GR-94), White (WH-87), Iron rust (RB-10) when not standard.
- Consult factory for dimming options, marine-grade, custom finishes (please specify RAL color), and non-cataloged CCT (Kelvin) options including static colors.
- Consult factory for custom signage options.
- Suitable for Natatorium applications.
- 5-year warranty on components.
- 10-year warranty on glass.
- Marine Grade Finish.
- Consult factory for any Buy American Act (BAA) or Build America Buy America Act (BABAA) requirements.



- ### FINISHES
- AN-96 / Iron gray / Textured
  - GR-94 / Aluminum metallic / Textured
  - BK-81 / Black / Textured
  - WH-87 / White / Textured
  - RB-10 / Iron rust / Textured



BLIZ  
BLIZ VISA/V

Lumen Output	2700K	3000K	3500K	4000K
BLIZ Open – 10W	486	498	509	520
BLIZ Open – 19.5W	972	995	1017	1040
BLIZ Guard – 10W	326	334	341	349
BLIZ Guard – 19.5W	652	667	682	698
BLIZ Visa – 10W	297	304	311	318
BLIZ Visa – 19.5W	593	607	621	635
BLIZ Visa V – 10W	320	327	335	342
BLIZ Visa V – 19.5W	639	654	669	684



Scan here  
for installation  
instructions

# Order Guide – Bliz Bollard



Order code example: BZV-O-P20-19.5W-35K-BK-UNV-0-10V-TP

BZB-O-							
SERIES	Bollard Size	Wattage	CCT	Finish	Voltage	Controls	Accessories
<b>BZB-O</b> Bliz Bollard Open Trim	<b>P20*</b> 20 inch H 9 inch W	<b>10W</b> 10 watt (Min)	<b>27K</b> 2700 Kelvin	<b>AM</b> Aluminum Metallic*	<b>UNV</b> 120-277V*	<b>NA</b> Non-Dim*	<b>SIGN</b> Logo / Signage
<b>BZB-G</b> Bliz Bollard Grill Trim	<b>P40*</b> 40 inch H 6 inch W	<b>19.5W</b> 19.5 watt* (Max)	<b>3K</b> 3000 Kelvin*	<b>IG</b> Iron Gray*		<b>0-10V</b> 0-10V Dim Driver	<b>TP</b> Tamper Proof Hardware
<b>BZB-V</b> Bliz Bollard Visa Trim	*Standard bollard size, consult factory for further options	<b>XX</b> Specify wattage must be within range	<b>35K</b> 3500 Kelvin	<b>IR</b> Iron Rust		<b>ELV</b> 120V-Line Voltage dim Driver  For more Options Contact Factory	<b>BABAA</b> Build America Buy America Act compliant (not available for all options)
<b>BZ-VV</b> Bliz Bollard Open Trim			<b>4K</b> 4000 Kelvin*	<b>BK</b> Black			
			<b>AMB</b> Static Amber 590 nm Turtle- Friendly	<b>WH</b> White			
			<b>RED</b> Static Red	<b>CC</b> Custom Color			
			<b>BLU</b> Static Blue				
			<b>GRN</b> Static Green				
			<b>RGBW</b> See Below for Details				

\*STANDARD OPTION, SHORTER LEAD TIME, NO MOQ\*  
 TEMPLATE AND ANCHOR BOLTS INCLUDED WITH FIXTURE  
 80 CRI STANDARD - OTHER OPTIONS AVAILABLE

Revision 04  
 06/25

## Power Supply



**17433**  
Kit driver 48V



**17096**  
Kit driver 48V WP

## RF Controls



**3104173**  
RGBW RF controller 4 channel  
(0.35A each CH)



**31041730**  
RGBW RF controller WP 4 channel  
(0.35A each CH)



**310429**  
RGBW hand held remote

## DMX Controls



**178973**  
RGBW DMX enabler/decoder 4  
channel (0.35A each CH)



**1789730**  
RGBW DMX enabler/decoder WP 4  
channel (0.35A each CH)



**11015**  
Terminating Resistor



**110150**  
Terminating Resistor WP