

# NIKKO+21 BOLLARD



Surface-mount doorway and hallway lights and post mount series. Fixtures consist of:

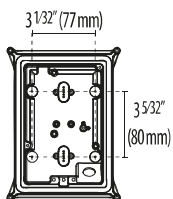
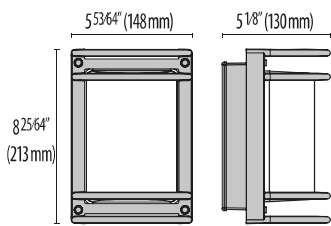
- Multi-step powder-coat painting process, optimized against UV rays and corrosion.
- Copper-free die-cast aluminum housing, ring, and faceplates.
- High transmittance, internally coated, soda-lime pressed glass diffuser, thermally and chemically quenched to strengthen the impact resistance and reduce the effect of rapid temperature changes.
- Custom molded, anti-aging gasket(s).
- Stainless steel external hardware.
- High-efficiency COB, combined with an optimized passive cooling system, provides a long LED life.

- 100% uniform diffused light emission.
- Input voltage: 120-277 V (50 / 60 Hz), integral driver.
- Consult factory for dimming options, custom finishes (please specify RAL color), and non-cataloged CCT (Kelvin) options including static colors.
- Wall bracket and post accessories available (ordered separately).
- 5-year warranty on components.
- 10-year warranty on glass.
- Marine Grade finish.
- Suitable for Natatorium applications.
- Consult factory for any Buy American Act (BAA) or Build America Buy America Act (BABAA) requirements.



## FINISHES

- AN-96 / Iron gray / Textured
- RB-10 / Iron rust / Textured
- GR-94 / Aluminum metallic / Textured
- WH-87 / White / Textured
- BK-81 / Black / Textured



NIKKO  
+21 LED



Open



Grill



V Shade

Lumen Output	27K	3K	35K	4K	5K
Nikko+21	784	803	821	840	858
Nikko+21 Grill	429	439	449	459	469
Nikko+21 Visa	367	381	395	409	423

11W Max Wattage



Scan here  
for installation  
instructions

# Order Guide - Nikko+21 Bollard



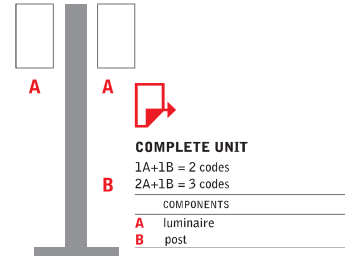
Order code example

N21-V-11-IG-3K-120-NA-WB

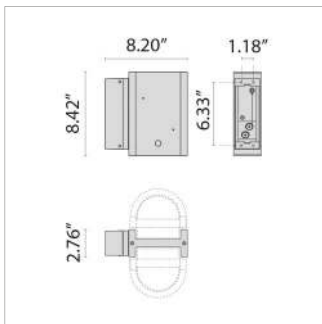
80 CRI STANDARD - OTHER OPTIONS AVAILABLE

N21B-

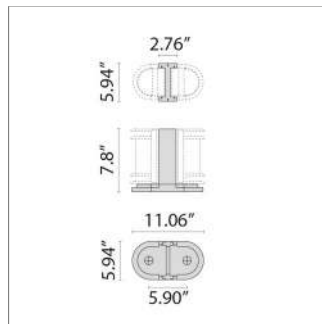
Trim Style	Wattage	Finish	Kelvin	Voltage	Controls	Accessories
<b>OP</b> Open	<b>11</b> 11 watt (max)	<b>AM</b> Aluminum Metallic	<b>27K</b> 2700k	<b>UNV</b> 120-277V	<b>NA</b> Non Dimming	<b>REM</b> Remote Mounted Emergency Battery Back Up
<b>G</b> Grill	<b>XX</b> Specify Wattage Must be below max	<b>IG</b> Iron Gray	<b>3K</b> 3000k			
<b>V</b> Shade		<b>IR</b> Iron Rust	<b>35K</b> 3500k	<b>ELV</b> 120V Line- Voltage Dimming Driver	<b>P7</b> 7.8" Post	
		<b>BK</b> Textured Black	<b>4K</b> 4000k		<b>P22</b> 22.95" Post	
		<b>WH</b> Textured White	<b>5K</b> 5000k		<b>P32</b> 32.79" Post	
		<b>CC</b> Custom Color	<b>65K</b> 6500k		<b>BABAA</b> Build America Buy America Act compliant (not available for all options)	
		<b>RED</b> Static Red	<b>BLU</b> Static Blue			
		<b>GRN</b> Static Green	<b>RGBW*</b> RGBW			
			*See below for details			



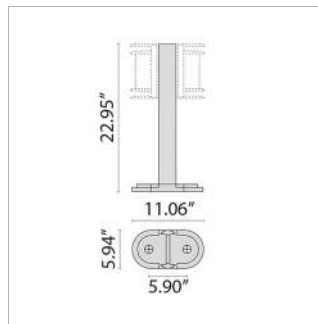
## WALL BRACKET AND POSTS ARE SUITABLE FOR ONE OR TWO FIXTURES EACH



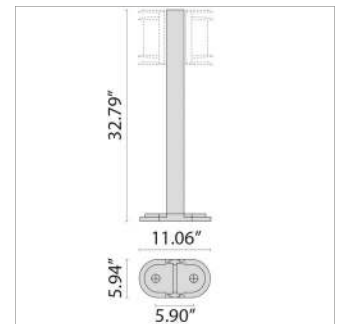
**WB**  
Wall Bracket



**P7**  
7.8" Post



**P22**  
22.95" Post



**P32**  
32.79" Post

## Power Supply



**17433**  
Kit driver 48V



**17096**  
Kit driver 48V WP

## RF Controls



**3104173**  
RGBW RF controller 4 channel  
(0.35A each CH)



**31041730**  
RGBW RF controller WP 4 channel  
(0.35A each CH)



**310429**  
RGBW hand held remote

## DMX Controls



**178973**  
RGBW DMX enabler/decoder 4  
channel (0.35A each CH)



**1789730**  
RGBW DMX enabler/decoder WP 4  
channel (0.35A each CH)



**11015**  
Terminating Resistor



**110150**  
Terminating Resistor WP