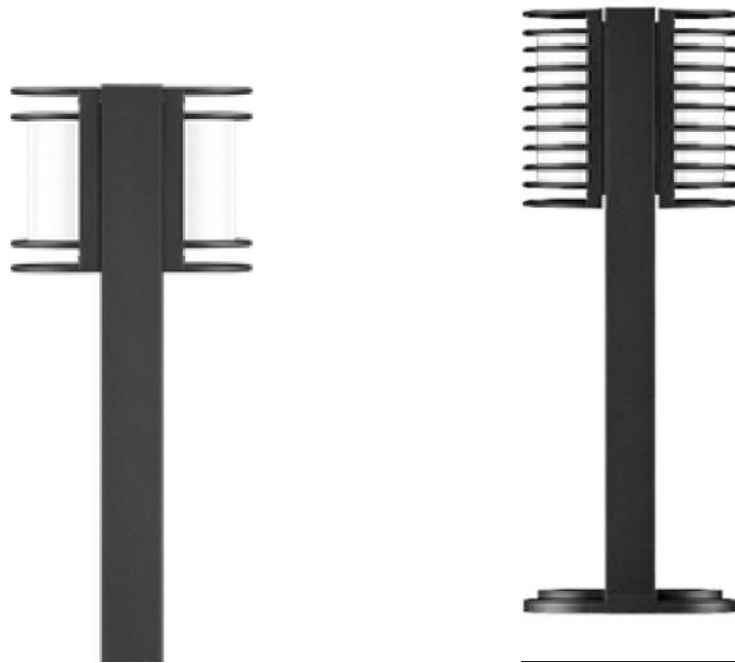


NIKKO+27 BOLLARD



Surface-mount doorway and hallway lights and post mount series. Fixtures consist of:

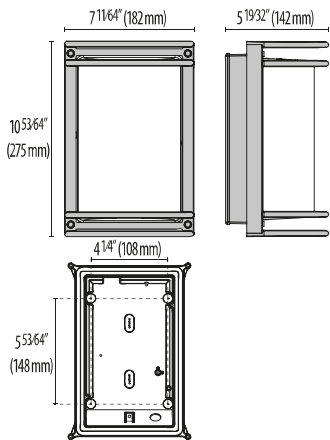
- Multi-step powder-coat painting process, optimized against UV rays and corrosion.
- Copper-free die-cast aluminum housing, ring, and faceplates.
- High transmittance, internally coated, soda-lime pressed glass diffuser, thermally and chemically quenched to strengthen the impact resistance and reduce the effect of rapid temperature changes.
- Custom molded, anti-aging gasket(s).
- Stainless steel external hardware.
- High-efficiency COB, combined with an optimized passive cooling system, provides a long LED life.

- 100% uniform diffused light emission.
- Input voltage: 120-277 V (50 / 60 Hz), integral driver.
- Consult factory for dimming options, custom finishes (please specify RAL color), and non-cataloged CCT (Kelvin) options including static colors.
- Wall bracket and post accessories available (ordered separately).
- 5-year warranty on components.
- 10-year warranty on glass.
- Marine Grade finish.
- Suitable for Natatorium applications.
- Consult factory for any Buy American Act (BAA) or Build America Buy America Act (BABAA) requirements.



FINISHES

- AN-96 / Iron gray / Textured
- RB-10 / Iron rust / Textured
- GR-94 / Aluminum metallic / Textured
- WH-87 / White / Textured
- BK-81 / Black / Textured



NIKKO
+27 LED

Lumen Output	27K	3K	35K	4K	5K
Nikko+27	1218	1248	1278	1309	1339
Nikko+27 Grill	638	654	670	686	718
Nikko+27 Visa	639	654	670	687	719

22W Max Wattage



Open

Grill

V Shade



Scan here
for installation
instructions

Revision 04
06/25

Order Guide - Nikko+27 Bollard



Order code example

N27-OP-11-AM-3K-120-NA-WB

80 CRI STANDARD - OTHER OPTIONS AVAILABLE

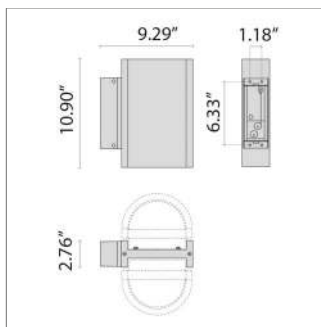
N27B-

Trim Style	Wattage	Finish	Kelvin	Voltage	Controls	Accessories
OP Open Trim	22 22 watt (max)	AM Aluminum Metallic	27K 2700k	UNV 120-277V	NA Non Dimming	REM Remote Mounted Emergency Battery Back-Up
G Grill	XX Specify Wattage Must be below max	IG Iron Gray	3K 3000k			
V Shade		IR Iron Rust	35K 3500k			
		BK Textured Black	4K 4000k			
		WH Textured White	5K 5000k			
		CC Custom Color	65K 6500k			
		RED Static Red	RED Static Red			
		BLU Static Blue	BLU Static Blue			
		GRN Static Green	GRN Static Green			
		RGBW* RGBW	RGBW* RGBW			
			*See below for details			

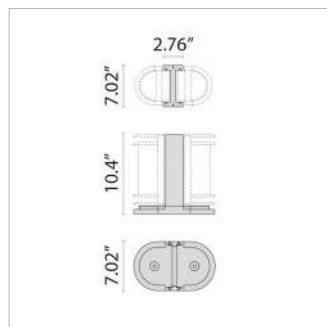
COMPLETE UNIT
 1A+1B = 2 codes
 2A+1B = 3 codes

COMPONENTS
 A luminaire
 B post

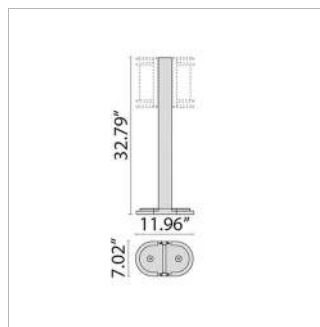
WALL BRACKET AND POSTS ARE SUITABLE FOR ONE OR TWO FIXTURES EACH



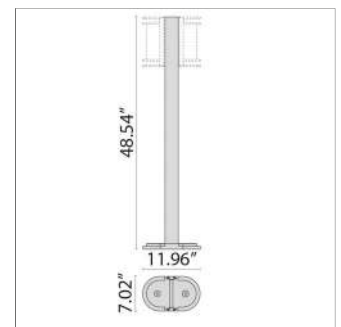
WB
Wall Bracket



P10
10.4" Post



P32
32.79" Post



P48
48.54" Post

Power Supply



17433
Kit driver 48V



17096
Kit driver 48V WP

RF Controls



3104173
RGBW RF controller 4 channel
(0.35A each CH)



31041730
RGBW RF controller WP 4 channel
(0.35A each CH)



310429
RGBW hand held remote

DMX Controls



178973
RGBW DMX enabler/decoder 4
channel (0.35A each CH)



1789730
RGBW DMX enabler/decoder WP 4
channel (0.35A each CH)